



# PONTIAC BODY GROUP 14.000

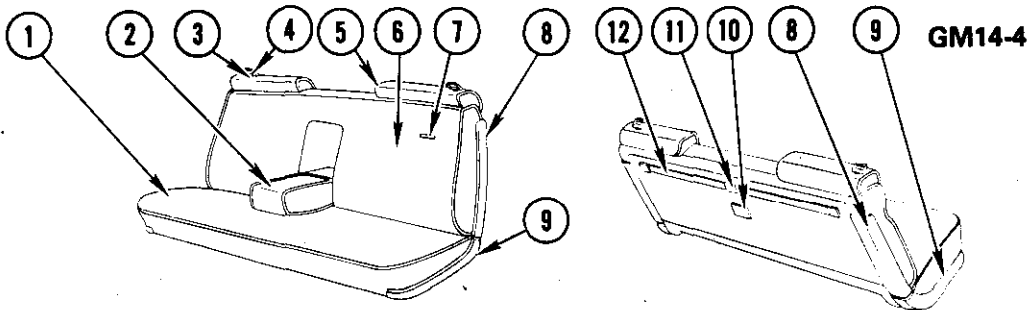


## ILLUSTRATION INDEX

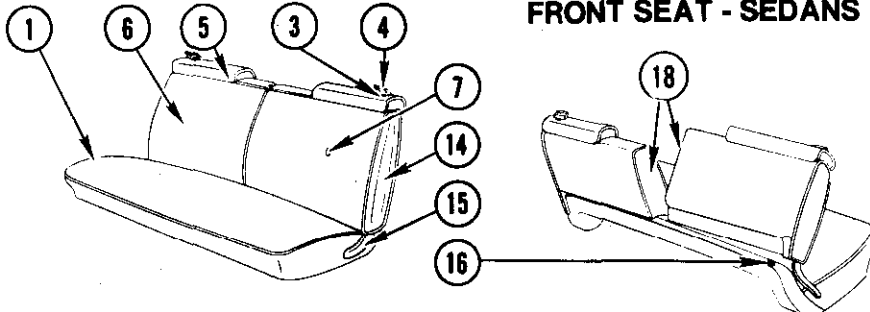
TITLE	PAGE
1976-80 SEAT ASM/FRONT .....	14-2
1981 "T" FRONT SEAT (AR9) .....	14-4
1976-81 SEAT ASM/FRONT BUCKET .....	14-6
1976-81 REAR SEAT-FOLDING 2ND & 3RD SEAT TRIM .....	14-8
1976-77 "A,G" ABOVE BELT INTERIOR TRIM .....	14-10
1976-77 "A,G" BELOW BELT INTERIOR TRIM .....	14-12
1978-81 "A,G" ABOVE BELT INTERIOR TRIM .....	14-14
1978-79 "A,G" BELOW BELT INTERIOR TRIM .....	14-16
1980-81 "A" BELOW BELT INTERIOR TRIM .....	14-17
1976 "B" ABOVE BELT INTERIOR TRIM .....	14-18
1977-81 "B" ABOVE BELT INTERIOR TRIM .....	14-20
1976 "B" BELOW BELT INTERIOR TRIM .....	14-22
1977-81 "B" BELOW BELT INTERIOR TRIM .....	14-24
1976-77 "F" INTERIOR TRIM (STANDARD & CUSTOM) .....	14-26
1978-81 "F" INTERIOR TRIM .....	14-28
1976-80 "H" ABOVE BELT INTERIOR TRIM .....	14-30
1976-80 "H" BELOW BELT INTERIOR TRIM .....	14-31
1981 "T" INTERIOR TRIM .....	14-32
1976-79 "X" INTERIOR TRIM (STANDARD) .....	14-34
1976-79 "X" INTERIOR TRIM (CUSTOM) .....	14-36
1976-79 "X" INTERIOR TRIM ("SJ") .....	14-38
1980-81 "X" INTERIOR TRIM .....	14-40
1976-78 "A" FRONT SEAT CENTER ARM REST .....	14-42
1977-81 "B" ARM REST/FRONT SEAT .....	14-43
1976-81 FRONT SEAT HEAD RESTRAINTS .....	14-44
1977-81 HEAD RESTRAINT/FRONT SEAT .....	14-45
1976-81 SEAT NOMENCLATURE CHART/COATED FABRIC .....	14-46
1978-81 SEAT BELT HARDWARE (TYPICAL)* .....	14-47

# NOTES

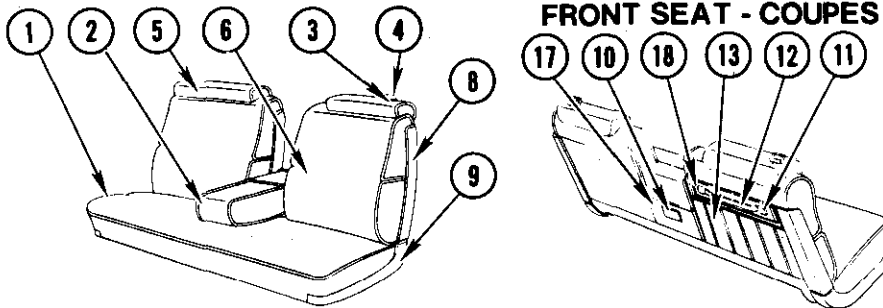
BLANK-57



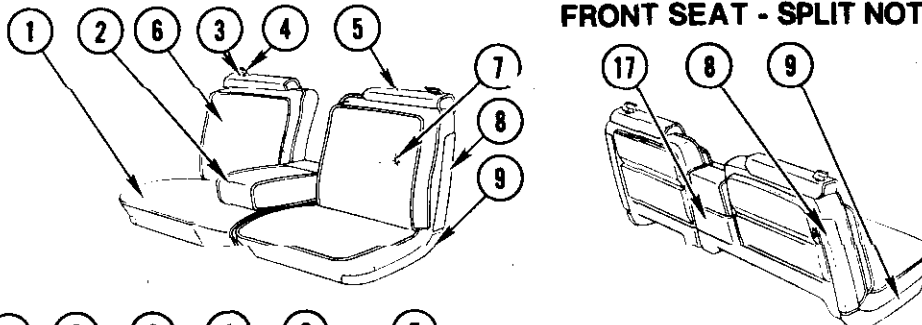
**FRONT SEAT - SEDANS**



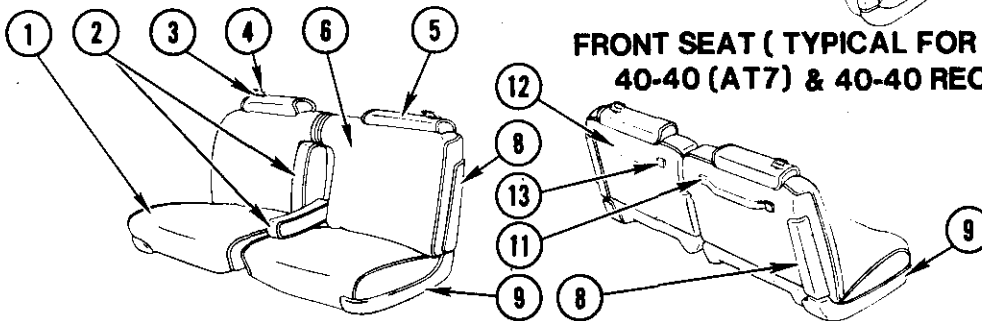
**FRONT SEAT - COUPES**



**FRONT SEAT - SPLIT NOTCHBACK (A65)**



**FRONT SEAT ( TYPICAL FOR 60-40 (AM6),  
40-40 (AT7) & 40-40 RECLINING (AN5)**



**FRONT SEAT ( TYPICAL FOR 50-50 ADJ PASS. RECLINING  
(AT8) & 50-50 EXC. PASS. RECLINING (AV7)**

**FBS-1020 GM 14-4  
GM14-4**

**1976-80 SEAT ASM/FRONT**

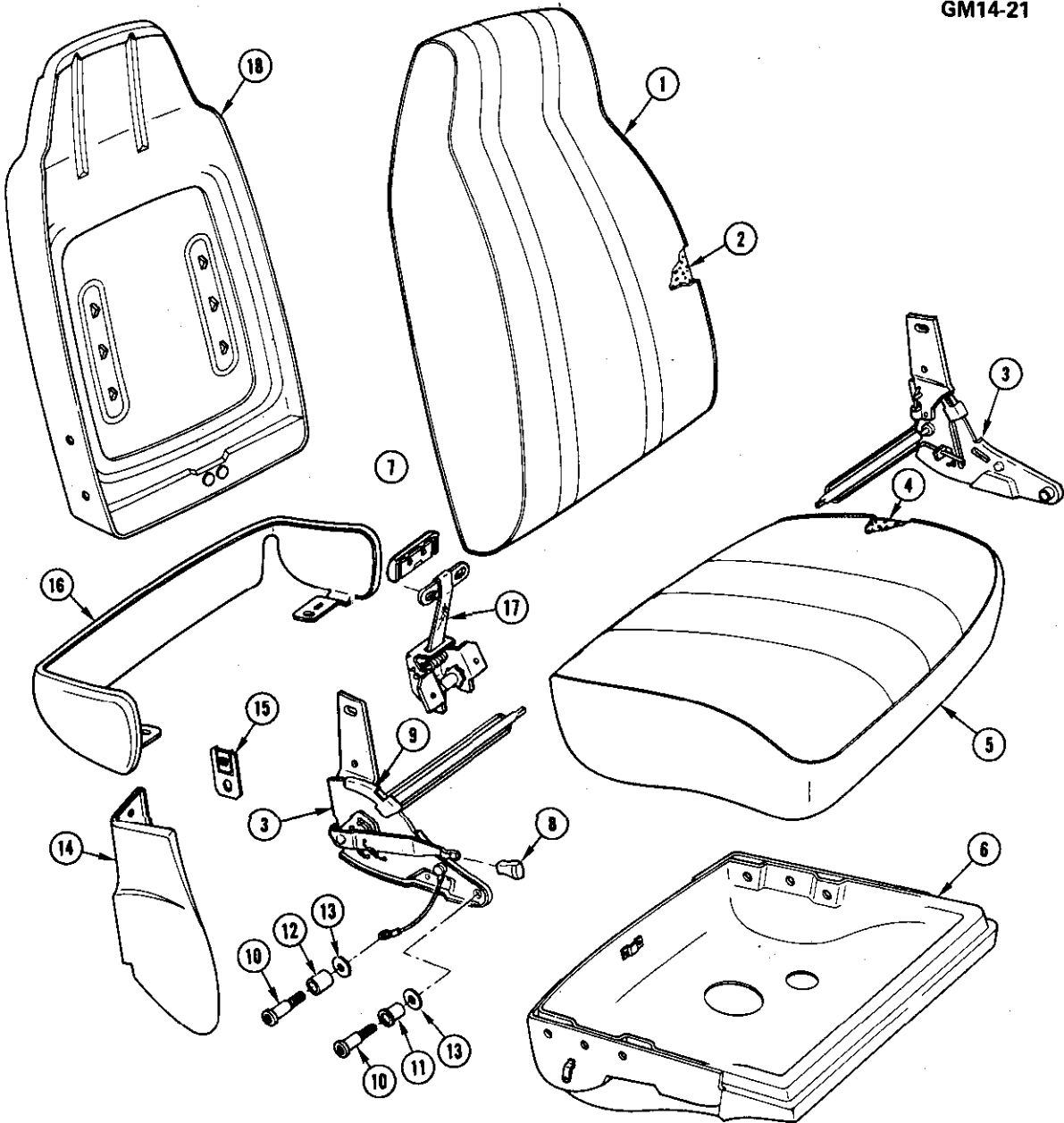
GM14-4

**1976-80 SEAT ASM/FRONT**

1.	COVER, P&D/St Cush	14.880
	PAD, P&D/St Cush Btm W/Wire	14.890
	SPRING, P&D/St Btm Frm	11.419
2.	COVER, A/Rst	14.900
3.	ESCUTCHEON, St Bk Shldr Strp	14.875
4.	GUIDE, St Bk Shldr Strp	14.875
5.	COVER, P&D/St Bk H/Rst	14.924
6.	COVER, P&D/St Bk	14.800
	PAD, P&D/St Bk W/Wire	14.802
	PANEL, P&D/St Bk	11.373
7.	BUTTON, St Bk Tr	14.804
8.	PANEL, P&D/St Bk Otr Si	11.358
	MOLDING, P&D/St Bk Tr Pnl	14.818
9.	PANEL, P&D/St Btm Si	11.362
10.	TRAY, A/Rst Ash Tray	12.045
11.	ESCUTCHEON, P&D/St Bk Asst Strp	11.898
12.	STRAP, P&D/St Bk Asst	11.898
13.	COVER, P&D/St Bk Asst Strp Escut	11.898
14.	PANEL, P&D/St Bk Otr	11.358
	TRIM, P&D/St Bk Pnl Si Otr	11.358
15.	COVER, P&D/St Bk Recl Hge	11.377
16.	BUMPER, P&D/St Btm Frm Hge Arm Inr/Otr	11.381
17.	COVER, A/Rst Supt	14.900
18.	PANEL, P&D/St Si Inr	11.358

FBS-1020

GM14-21



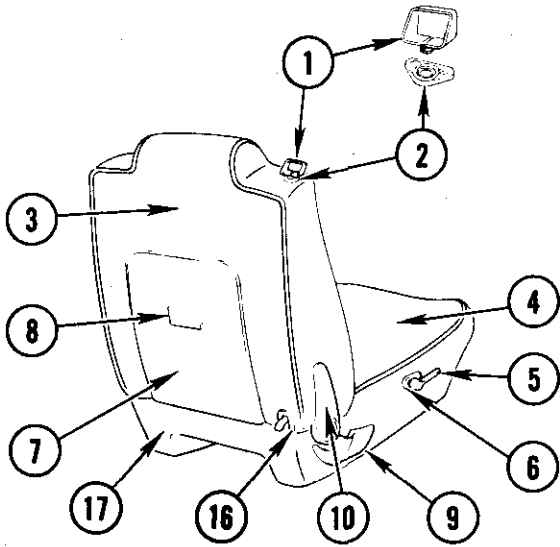
GM14-21

1981 "T" FRONT SEAT (AR9)

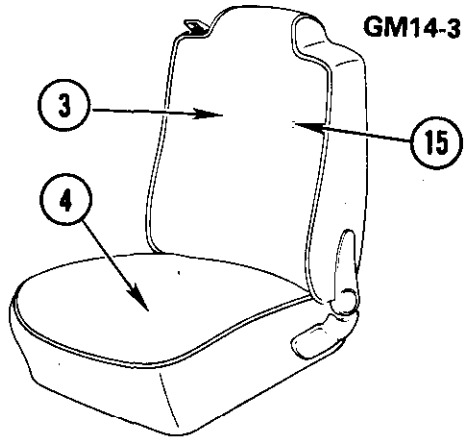
GM14-21

**1981 "T" FRONT SEAT (AR9)**

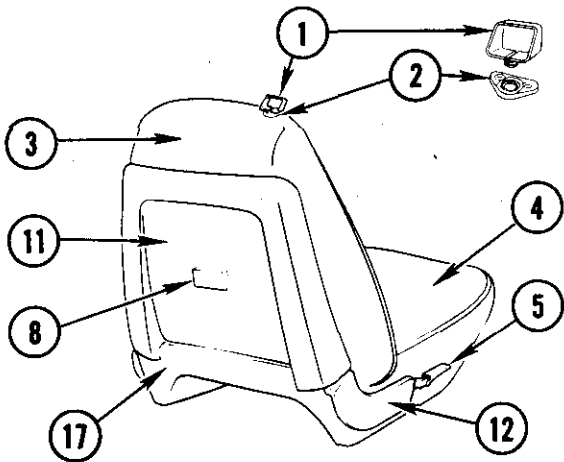
1.	COVER, P&D Seat Back .....	14.800
2.	PAD, P&D Seat Back W/Wire .....	14.802
3.	CONTROL, P&D Seat Back Recl .....	11.377
4.	PAD, P&D Seat Btm W/Wire .....	14.890
5.	COVER, P&D Seat Cushion .....	14.880
6.	PANEL, P&D Seat Btm .....	11.419
7.	COVER, P&D Seat .....	11.390
8.	KNOB, Seat Adj .....	11.588
9.	LACE, P&D Seat Back Otr Recl Cont .....	14.800
10.	BOLT, Hng Stkr P&D Seat Back Lk Inr Otr .....	11.390
11.	BUSHING, P&D Seat Hng Inr Otr Piv .....	11.375
12.	SLEEVE, P/Seat Back Inr Lk Stkr .....	11.390
13.	WASHER, Stkr Bolt P&D Seat Back Lk Otr .....	11.390
14.	COVER, P/Seat Back Recl Hng Inr (Paint To Match) .....	11.377
15.	SUPPORT, P&D Seat Back .....	11.390
16.	PANEL, P&D Seat Btm Frm .....	14.810
17.	LOCK, P&D Seat Back Ctr Interia .....	11.390
18.	PANEL, P&D Seat Back .....	11.373



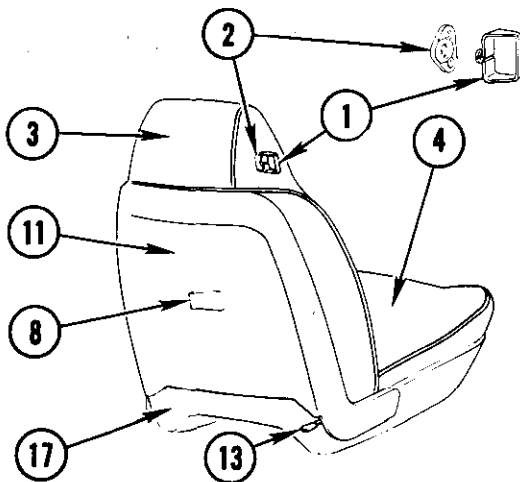
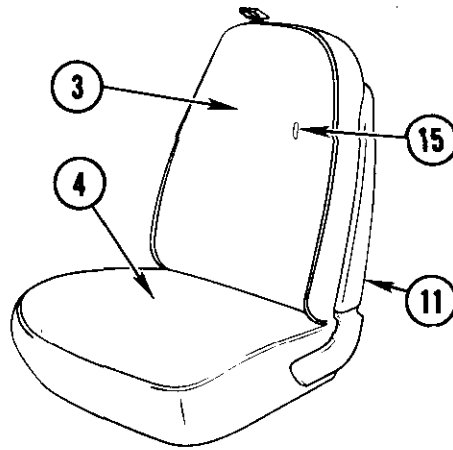
**EUROPEAN STYLE RECLINING BUCKET SEAT (AR9)**



GM14-3

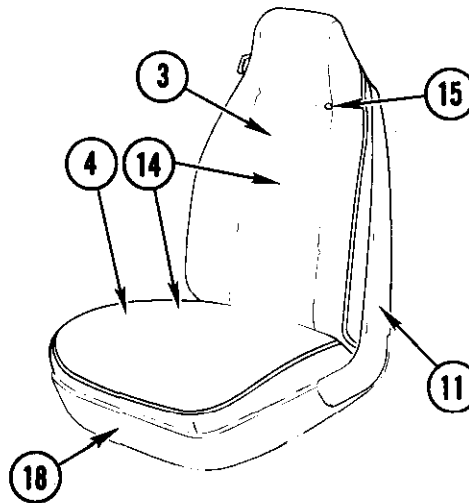


**PASSENGER RECLINING BUCKET SEAT (AQ9)**



**BUCKET SEAT (TYPICAL)(A51 & AN7) GM14-3**

**1976-81 SEAT ASM/FRONT BUCKET**



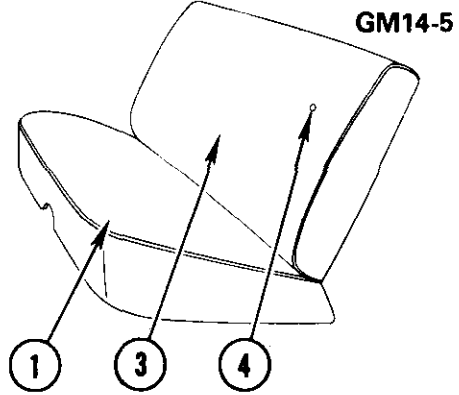
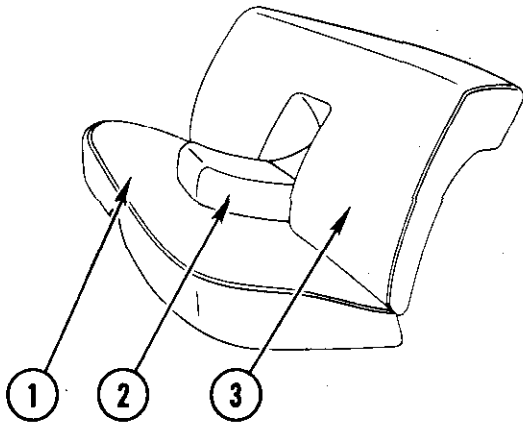
FBS-1018

GM14-3

**1976-81 SEAT ASM/FRONT BUCKET**

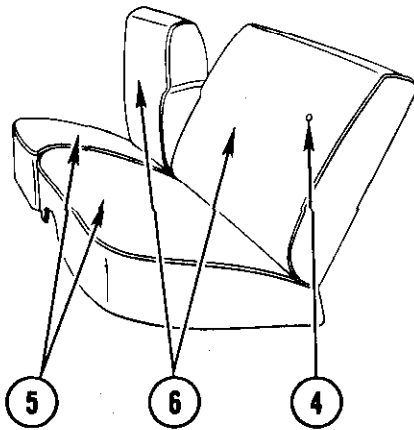
1.	GUIDE, P&D/St Bk Shldr Strp H/Rst .....	14.875
2.	ESCUTCHEON, P&D/St Bk Shldr Strp .....	14.875
3.	COVER, P&D/St Bk .....	14.800
	FRAME, P&D/St Bk .....	11.373
	PAD, P&D/St Bk W/Wire .....	14.802
4.	COVER, P&D/St Cush .....	14.880
	PAD, P&D/St Btm W/Wire .....	14.890
	SPRING, P&D/St Btm Frm .....	11.419
5.	HANDLE, P&D/St Bk Recl Cont .....	11.377
6.	ESCUTCHEON, P&D/St Recl Cont Hdl .....	11.390
7.	COVER, P&D/St Bk .....	14.802
8.	RECEIVER, P&D/St Bk Ash Tray Cvr .....	12.045
9.	COVER, P&D/St Bk Recl Si Lwr .....	11.377
10.	COVER, P&D/St Bk Recl Hge Up .....	11.377
11.	PANEL, P&D/St Bk Otr .....	11.358
12.	PANEL, P&D/St Tr Btm Si .....	11.362
13.	HANDLE, P&D/St Bk Recl .....	11.377
14.	PAD, Frt Bkt Compl (Current Production Only) .....	14.890
	COVER, P&D/St Compl Swiv St Only .....	14.800
15.	BUTTON, St Bk & Cush Tr .....	14.804
16.	ESCUTCHEON, P&D/St Bk Lk & Recl Hdl .....	11.390
17.	PANEL, P&D/St Btm .....	11.419
18.	PANEL, P&D/St Btm Frm .....	11.419

FBS-1018

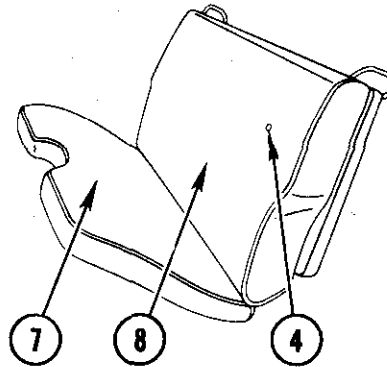


GM14-5

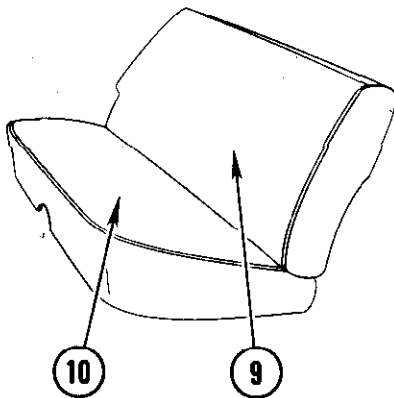
**REAR SEATS WITH & EXCEPT CENTER ARM REST**



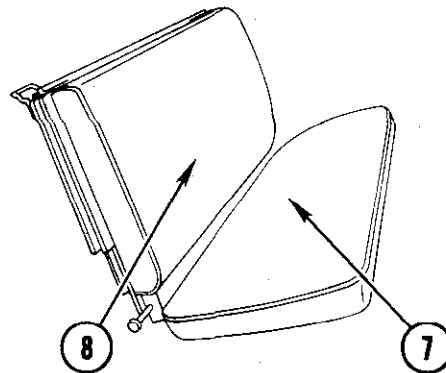
**FOLDING 2ND 1/3RD & 2/3RD SEATS**



**FOLDING 3RD SEAT  
("B" WAGONS)**



**FOLDING 2ND SEAT**



**FOLDING 3RD SEAT  
("A" WAGONS)**

FBS-1019

GM14-5

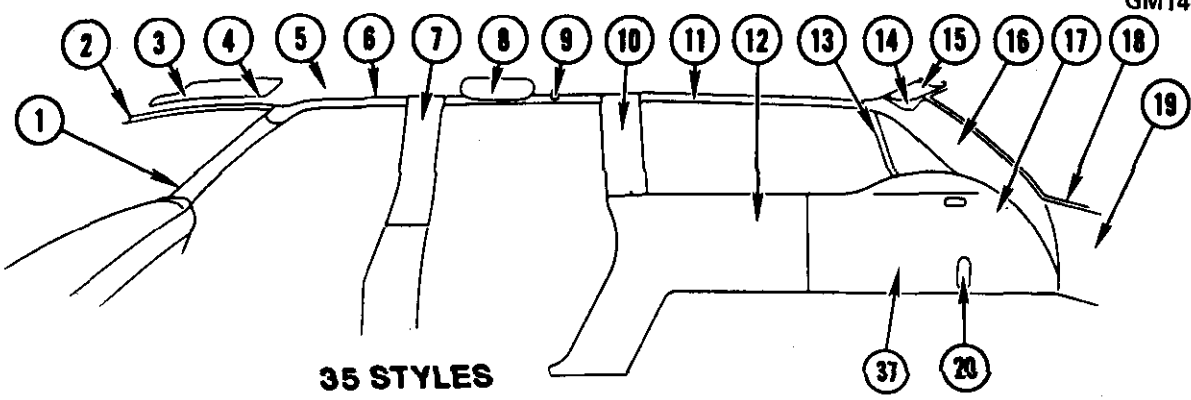
**1976-81 REAR SEAT-FOLDING 2ND & 3RD SEAT TRIM**

GM14-5

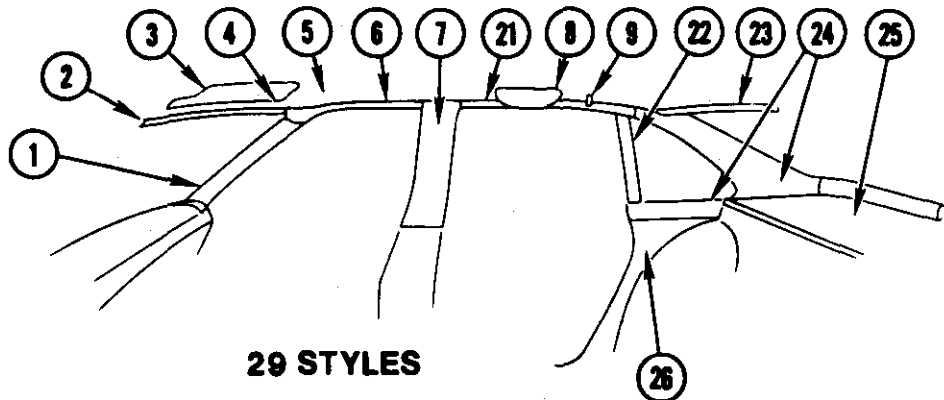
**1976-81 REAR SEAT-FOLDING 2ND & 3RD SEAT TRIM**

1.	COVER, Rear Seat Cushion .....	15.035
	SPRING, Rear Seat Bottom .....	11.610
	PAD, Rear Seat Bottom .....	15.036
2.	COVER ASM, Rear Back Center Arm Rest .....	15.040
3.	FRAME ASM, Rear Seat Back-Formed .....	11.628
	COVER ASM, Rear Seat Back .....	15.000
	PAD, Rear Seat Back W/Wire .....	15.002
4.	BUTTON ASM, Seat Back Trim .....	14.804
5.	COVER ASM, Fldg 2nd 1/3 or 2/3 Seat Cushion .....	15.035
	SPRING, Fldg 2nd 1/3 or 2/3 Seat Bottom .....	11.610
	PAD ASM, Fldg 2nd 1/3 or 2/3 Seat Bottom .....	15.036
6.	COVER ASM, Fldg 2nd 1/3 or 2/3 Seat Back .....	15.000
	FRAME ASM, Fldg 2nd 1/3 or 2/3 Seat Back .....	11.628
	PAD ASM, Fldg 2nd 1/3 or 2/3 Seat Back .....	15.002
7.	SPRING, Fldg 3rd Seat Cushion .....	11.610
	PAD, Fldg 3rd Seat Cushion .....	15.036
	COVER ASM, Fldg 3rd Seat Cushion .....	15.070
8.	COVER ASM, Fldg 3rd Seat Back .....	15.060
	FOUNDATION, Fldg 3rd Seat Back .....	11.628
	PAD ASM, Fldg 3rd Seat Back .....	15.002
9.	COVER ASM, Fldg 2nd Seat Back .....	15.000
	FRAME ASM, Fldg 2nd Seat Back .....	11.628
	PAD ASM, Fldg 2nd Seat Back .....	15.002
10.	COVER ASM, Fldg 2nd Seat Cushion .....	15.035
	PAD ASM, Fldg 2nd Seat Cushion .....	15.036

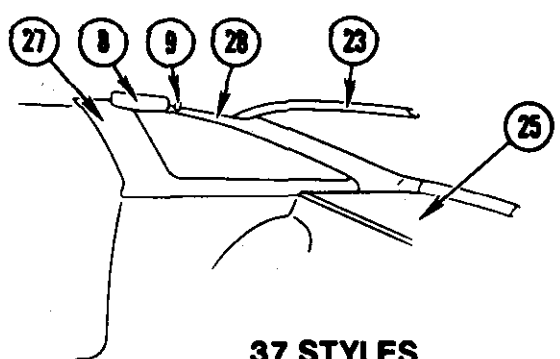
FBS-1019



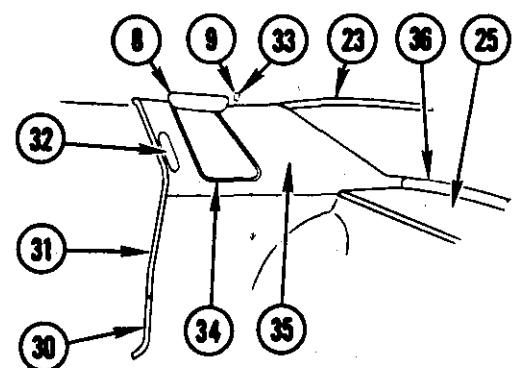
35 STYLES



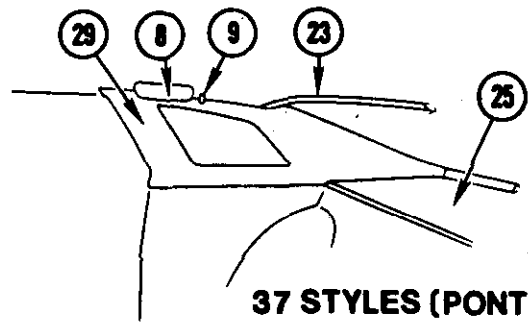
29 STYLES



37 STYLES



57 STYLES

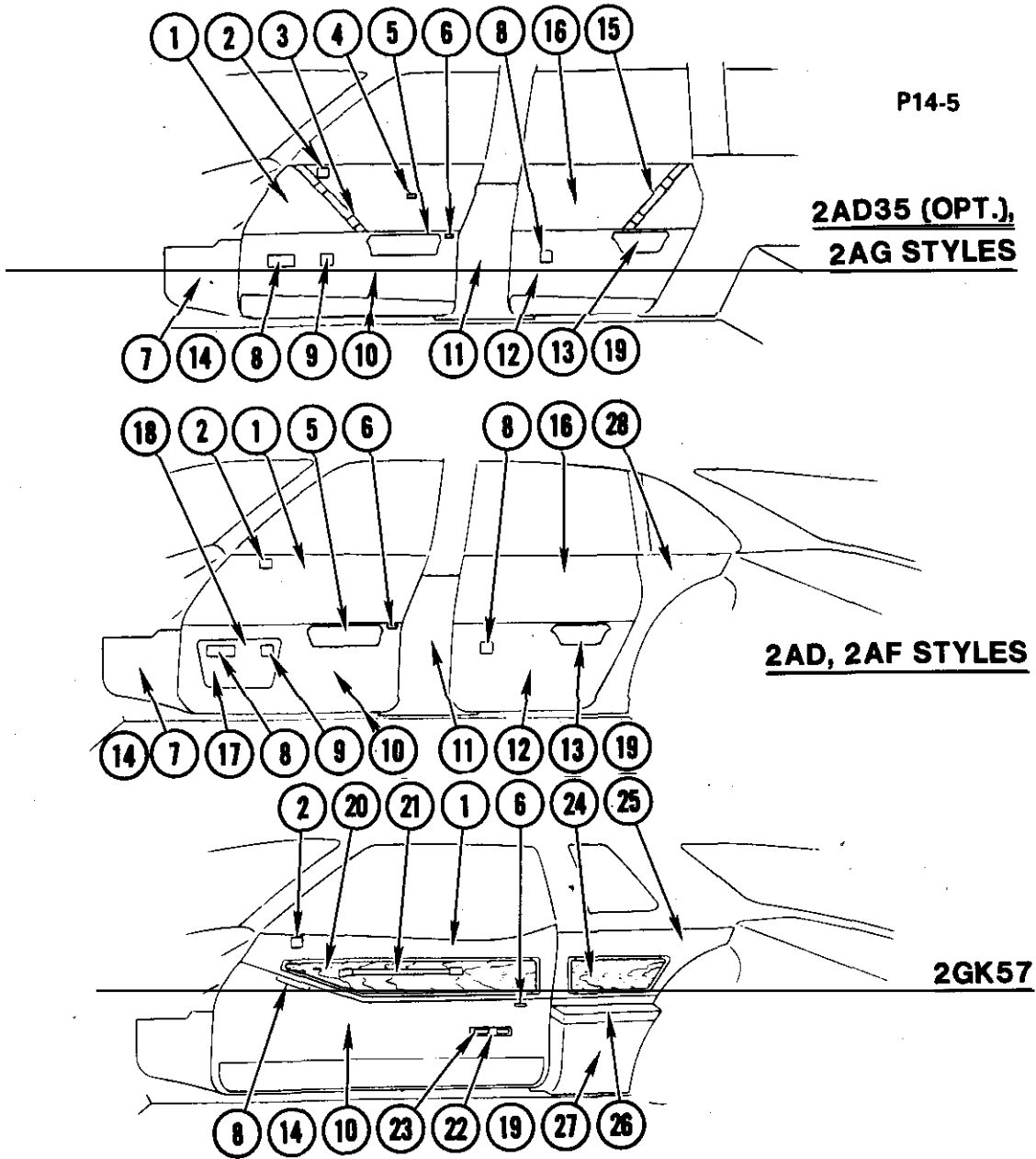


37 STYLES (PONTIAC)

1976-77 "A,G" ABOVE BELT INTERIOR TRIM

## 1976-77 "A,G" ABOVE BELT INTERIOR TRIM

1.	MOLDING, W/S Garnish-Side .....	10.051
2.	MOLDING, W/S Garnish-Upper .....	10.051
3.	SUNSHADE ASM. ....	10.203
4.	SUPPORT, Sunshade .....	10.219
5.	HEADLINING .....	14.645
6.	MOLDING ASM, Roof Inner Side-Front .....	14.651
7.	COVER ASM, Center Pillar-Upper .....	14.730
8.	COVER ASM, Shoulder Strap Retractor .....	14.875
9.	HOOK, Coat .....	15.388
10.	COVER, Body Lock Pillar-Above Belt .....	14.731
11.	MOLDING, Roof Inner Side-Rear .....	14.651
12.	PANEL, Wheelhouse Cover-RH Side .....	12.944
	PANEL, Wheelhouse Outer Front-LH Side .....	12.944
13.	MOLDING, Qtr Vent Div Channel Garnish .....	11.119
14.	FILLER, Back Body Opening .....	12.968
15.	MOLDING, Back Body Opening Upper Finish .....	12.968
16.	MOLDING, Back Body Pillar Finish .....	12.968
17.	EXTENSION ASM, Spare Tire Cover Panel-RH Side .....	12.579
	PANEL ASM, Wheelhouse Cover Rear-LH Side .....	12.944
18.	CHANNEL ASM, Tailgate Window Glass .....	12.180
19.	PANEL, Tailgate Inner Cover .....	12.195
20.	CATCH ASM, Spare Tire Cover Panel .....	12.579
21.	MOLDING ASM, Roof Inner Side-Rear .....	14.651
22.	MOLDING, Qtr Window Front Sash Channel-Finish .....	11.119
23.	MOLDING, Back Window Garnish Upper .....	11.120
24.	PANEL, Qtr Inner Upper-Finish .....	15.101
25.	TRIM ASM, Rear Seat to Back Window .....	15.024
26.	PANEL, Qtr Inner Lower Finish Molding .....	12.941
27.	MOLDING, Qtr Stationary Window Front Garnish .....	11.119
28.	MOLDING, Qtr Stationary Window Rear Garnish .....	11.119
29.	MOLDING, Qtr Stationary Window Garnish (Pontiac Only) .....	11.119
30.	MOLDING, Body Lock Pillar Lower Finish .....	14.731
31.	MOLDING, Body Lock Pillar Upper Finish .....	14.731
32.	REFLECTOR, Qtr Courtesy Lamp .....	11.927
	LENS, Qtr Courtesy Lamp .....	11.928
33.	ESCUTCHEON, Coat Hook (57 Style) .....	15.388
34.	LACE, Qtr-Above Belt Trim .....	14.650
35.	PANEL, Qtr Upper-Above Belt-Trim Finish .....	14.645
36.	MOLDING, Back Window Lower Garnish .....	11.120
37.	PANEL, Spare Tire Cover .....	15.100



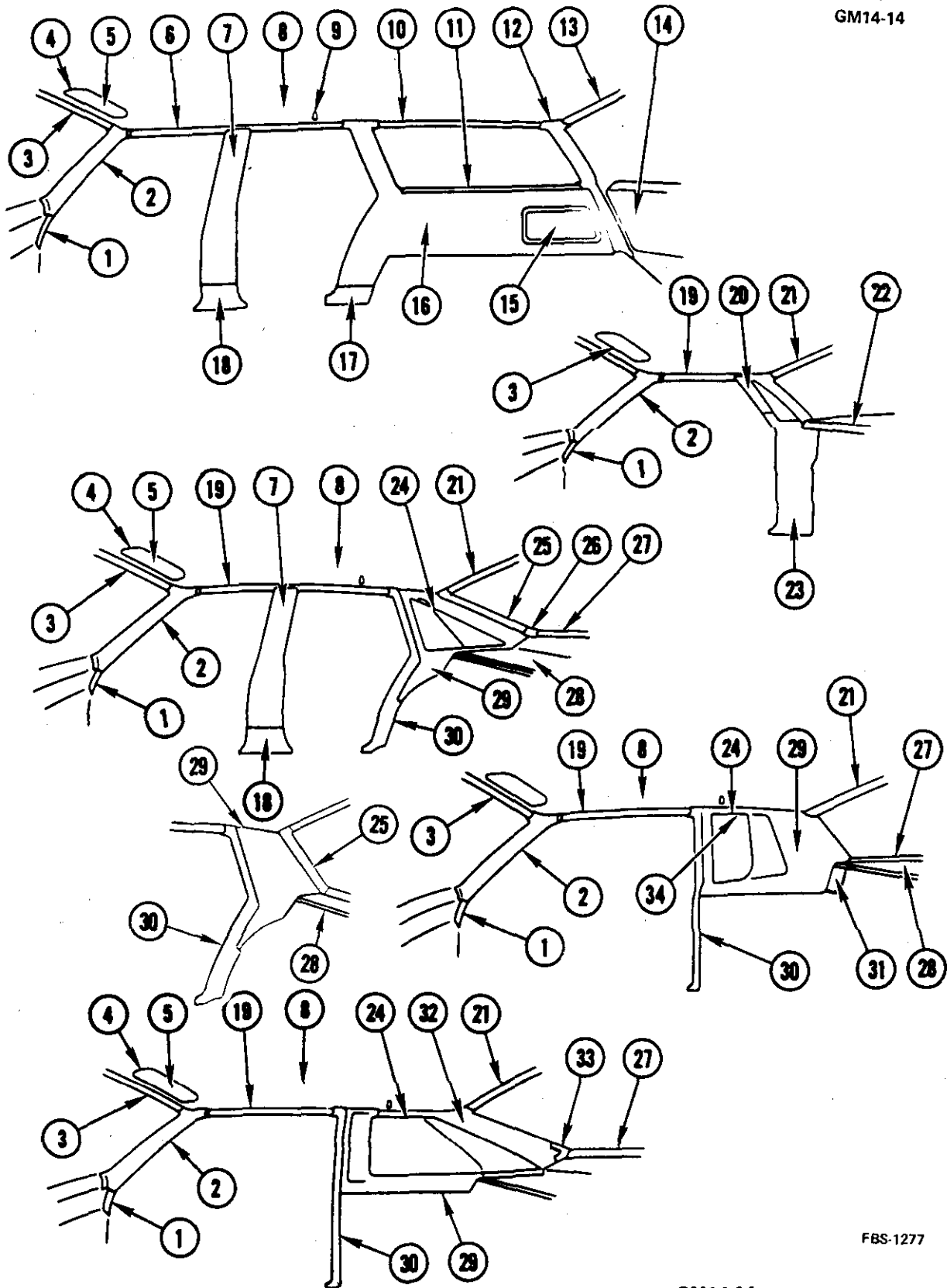
P14-5

1976-77 "A,G" BELOW BELT INTERIOR TRIM

**1976-77 "A,G" BELOW BELT INTERIOR TRIM**

1.	TRIM ASM, F/D Upr	14.685
2.	ESCUTCHEON, O/S Rr/View Mirror Cont-LH (Opt)	10.186
3.	STRAP, F/D Pull	14.691
4.	EMBLEM, F/D Trim Pad	14.691
5.	PAD ASM, F/D A/Rst-Lwr	14.686
6.	ASH TRAY ASM, A/Rst (Coupe Styles Only)	12.045
7.	PANEL, Si Fin Shrd	14.630
8.	SWITCH, Dr Wdo & Escut	10.777
9.	SWITCH, Lk Cont-On Trim Pad	10.485
10.	PANEL, F/D Trim Fin-Lwr	14.685
11.	COVER ASM, Ctr Plr-Lwr	14.730
12.	PANEL, R/D Trim Fin-Lwr	14.760
13.	PAD ASM, R/D A/Rst-Lwr	14.762
14.	CARPET ASM, Frt Flr	15.286
15.	STRAP, R/D Pull	14.764
16.	TRIM ASM, R/D-Upr	14.760
17.	BASE, F/D Wdo Lwr Mtg (Opt)	10.777
18.	COVER, F/D A/Rst Fin	10.777
19.	CARPET ASM, Rr Flr	15.306
20.	MOLDING, Trim Pad F/D Upr	14.691
21.	STRAP, F/D Upr Pull	14.691
22.	REFLECTOR, F/D Trim Pad	14.688
23.	LENS, F/D Trim Pad	14.688
24.	MOLDING, Trim Pad Qtr Upr	15.101
25.	TRIM ASM, Qtr Upr	15.100
26.	PAD, Qtr A/Rst Trim Fin Pnl	15.108
27.	PANEL, Qtr A/Rst Trim Fin	15.108
28.	PANEL, Qtr Inr Lwr Fin	15.100

GM14-14



FBS-1277

GM14-14

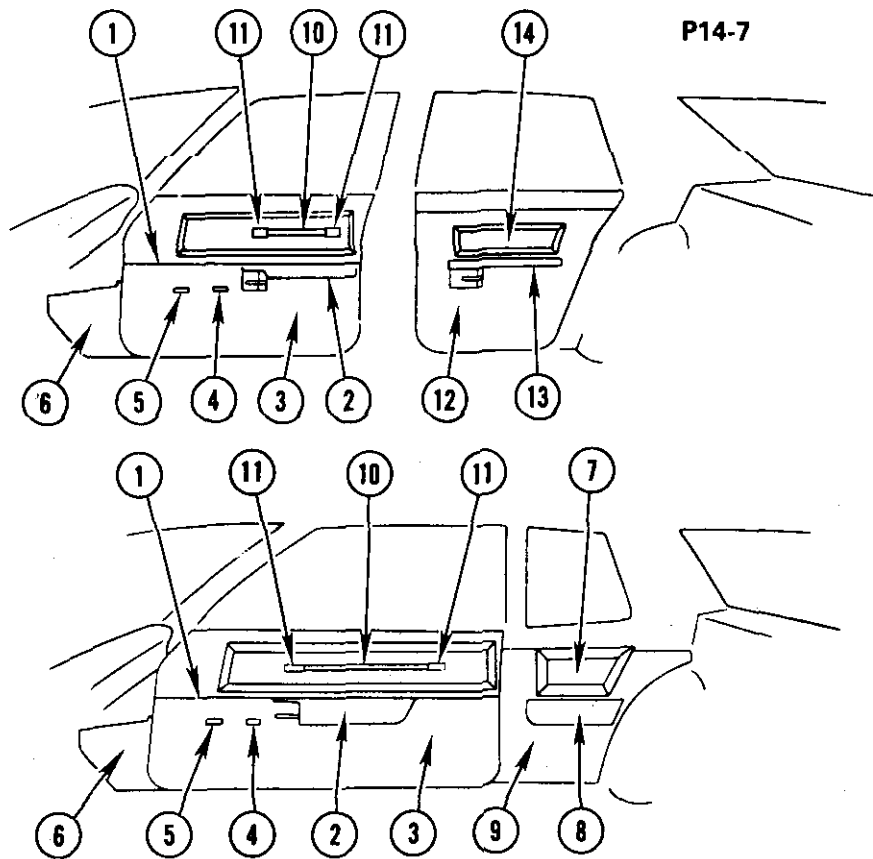
1978-81 "A,G" ABOVE BELT INTERIOR TRIM

## 1978-81 "A,G" ABOVE BELT INTERIOR TRIM

1.	MOLDING, Windshield Garnish Side-Lower .....	10.051
2.	MOLDING, Windshield Garnish Side-Upper .....	10.051
3.	MOLDING, Windshield Garnish Upper .....	10.051
4.	SUNSHADE ASM .....	10.203
5.	SUPPORT, Sunshade .....	10.219
6.	MOLDING, Roof Inner Side-Frt .....	14.651
7.	PANEL, Center Pillar Trim Finish-Upper .....	14.730
8.	PANEL, Trim Finish Headlining Frt (Less Trim)(*1) .....	14.640
	PANEL, Trim Finish Headlining Rr (Less Trim)(*1) .....	14.640
9.	HOOK, Coat .....	15.388
10.	MOLDING, Roof Inner Side-Rr .....	14.651
11.	MOLDING ASM, Quarter Wdo Garnish-at Belt (35 Style) .....	15.101
12.	MOLDING, Back Body Opening Side .....	12.180
13.	MOLDING, Back Body Opening Upper .....	12.180
14.	PANEL, Tail Gate Inner Cover .....	12.195
15.	DOOR, Quarter Pocket Stowage .....	12.941
	POCKET, Stowage Quarter .....	15.100
16.	PANEL, Finish Quarter Inner (35 Style) .....	15.099
17.	EXTENSION, Body Lock Pillar Panel (35 Style) .....	12.942
18.	PANEL, Center Pillar Lower Trim Finish .....	14.730
19.	MOLDING, Roof Inner Side Finish .....	14.651
20.	PANEL, Body Lock Pillar-Upper (80 Style) .....	12.942
21.	MOLDING, B/W Upper Garnish .....	11.120
22.	PANEL, Frt Seat to B/W (80 Style) .....	12.971
23.	PANEL, Body Lock Pillar-Lower (80 Style) .....	14.731
24.	LACE, Quarter Window Opening Trim Finish .....	14.650
25.	MOLDING, B/W Side Garnish (09-19 Styles) .....	11.120
26.	ESCUTCHEON, B/W Lower Corner Garnish Mldg (19 Style) .....	11.133
27.	MOLDING, Rr Seat to B/W Finish (09-87 Styles) .....	11.120
	MOLDING, B/W Lower Garnish (19-27 Styles) .....	11.120
28.	FOUNDATION, Rr Seat Back to B/W (09-37-47-87 Styles) .....	15.024
	TRIM ASM, Rr Seat to B/W (19-27 Styles) .....	15.024
29.	PANEL ASM, Quarter Upper-Above Belt Trim Finish .....	14.645
30.	PANEL, Body Lock Pillar Trim Finish .....	14.731
31.	FILLER, Rr Seat to B/W .....	15.024
32.	MOLDING, Quarter Window Rr Garnish .....	11.119
33.	MOLDING, Quarter Window Rr Garnish (27 Style) .....	11.119
34.	ESCUTCHEON, Trim Lace Quarter Upper at Belt .....	14.645

FBS-1277

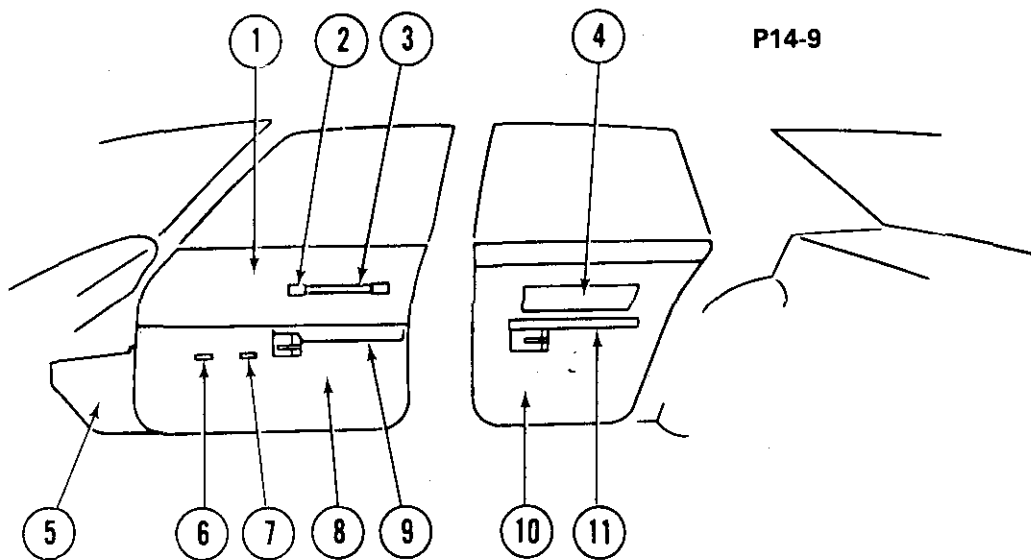
NOTE 1: For a Complete Assembly Also Order Headlining Cover Group 14.640.



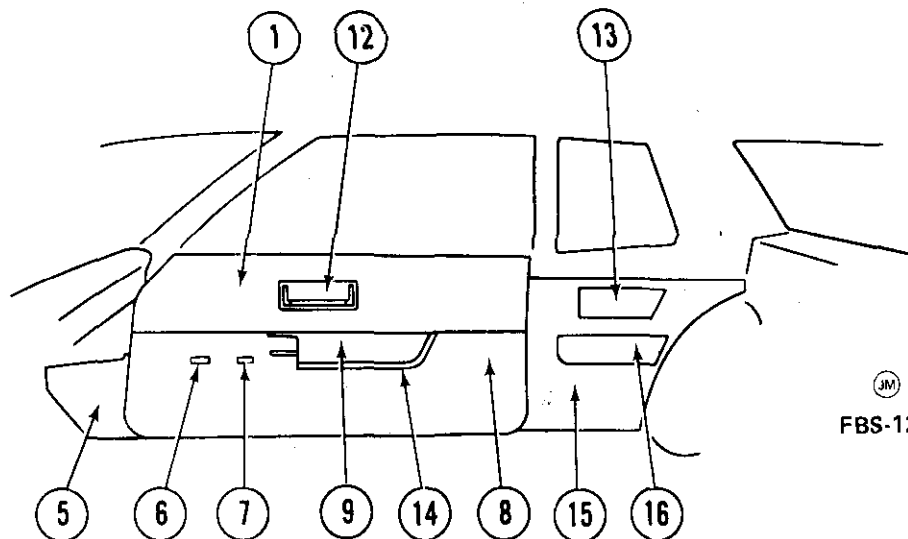
P14-7

**1978-79 "A,G" BELOW BELT INTERIOR TRIM**

1.	TRIM ASM, F/D Upr	14.685
2.	PAD ASM, F/D A/Rst	14.686
3.	PANEL, Tr Fin F/D Lwr	14.685
4.	SWITCH ASM, W/Escut, Dr Wdo	10.777
5.	ESCUTCHEON, O/S Rr View Mir Cont	10.186
6.	PANEL, Fin Shrd Si	14.630
7.	TRIM ASM, Qtr Upr Below Belt	15.100
8.	PAD ASM, Qtr A/Rst Trim	15.108
9.	PANEL, Trim Qtr A/Rst	15.108
10.	STRAP ASM, Pull F/D	14.691
11.	COVER, Escut F/D Pull Strap	14.691
12.	PANEL ASM, Trim Less A/Rst	14.760
13.	PAD ASM, R/D A/Rst	14.762
14.	TRIM ASM, R/D Insert	14.760



P14-9



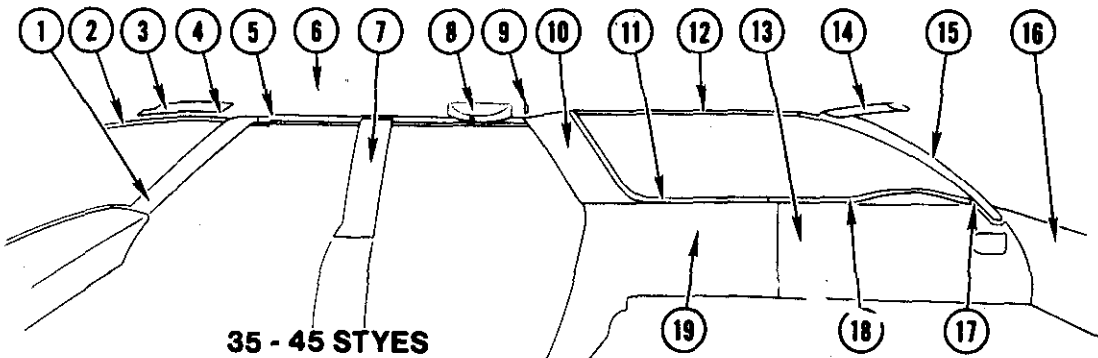
JM  
FBS-1261

P14-9

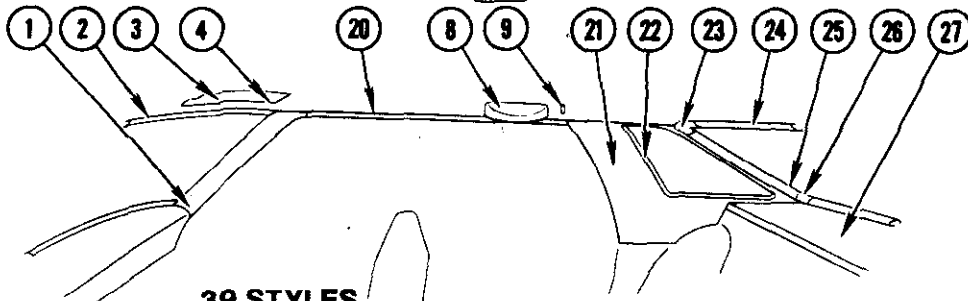
### 1980-81 "A" BELOW BELT INTERIOR TRIM

1.	TRIM ASM, F/D Upr	14.685
2.	COVER, Escut F/D Pull Strap	14.691
3.	STRAP ASM, F/D Pull	14.691
4.	TRIM ASM, R/D Ins	14.760
5.	PANEL, Fin Shrd Si	14.630
6.	ESCUTCHEON, O/S R/View Mir Cont	10.186
7.	SWITCH ASM, W/Escut Dr Wdo	10.777
8.	PANEL, Trim Fin F/D Lwr	14.685
9.	PAD ASM, F/D A/Rst	14.686
10.	PANEL ASM, R/D Trim Less A/Rst	14.760
11.	PAD ASM, R/D A/Rst	14.762
12.	HANDLE, F/D Pull	14.691
13.	TRIM ASM, Qtr Upr	15.100
14.	MLDG, Trim Pnl F/D Lwr A/Rst	14.691
15.	PANEL, Trim Qtr A/Rst	15.108
16.	PAD ASM, Qtr A/Rst Trim	15.108

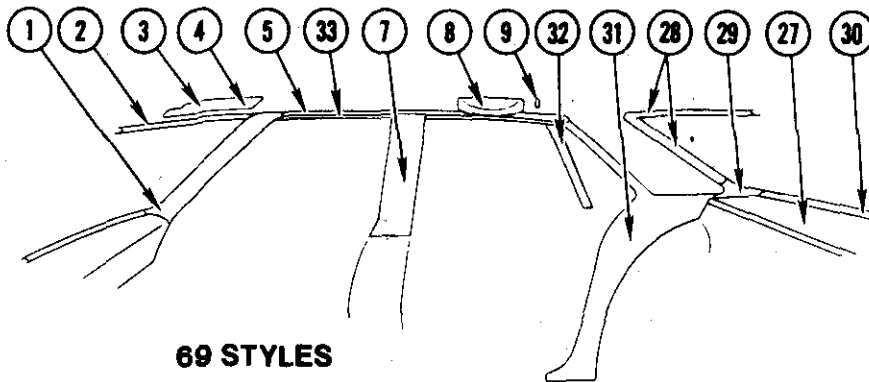
GM14-9



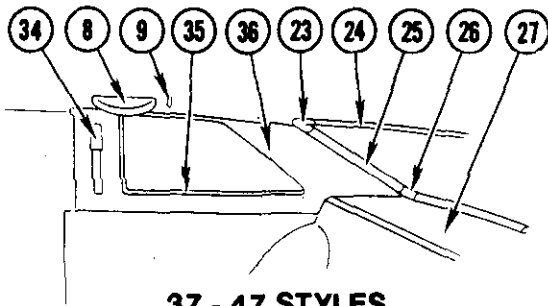
35 - 45 STYLES



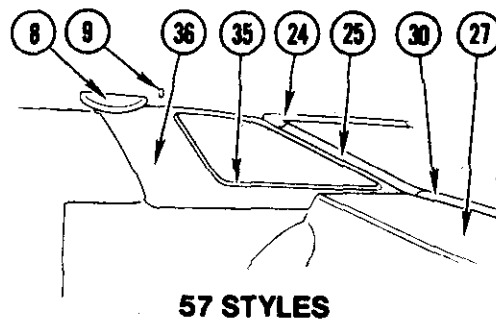
39 STYLES



69 STYLES



37 - 47 STYLES



57 STYLES

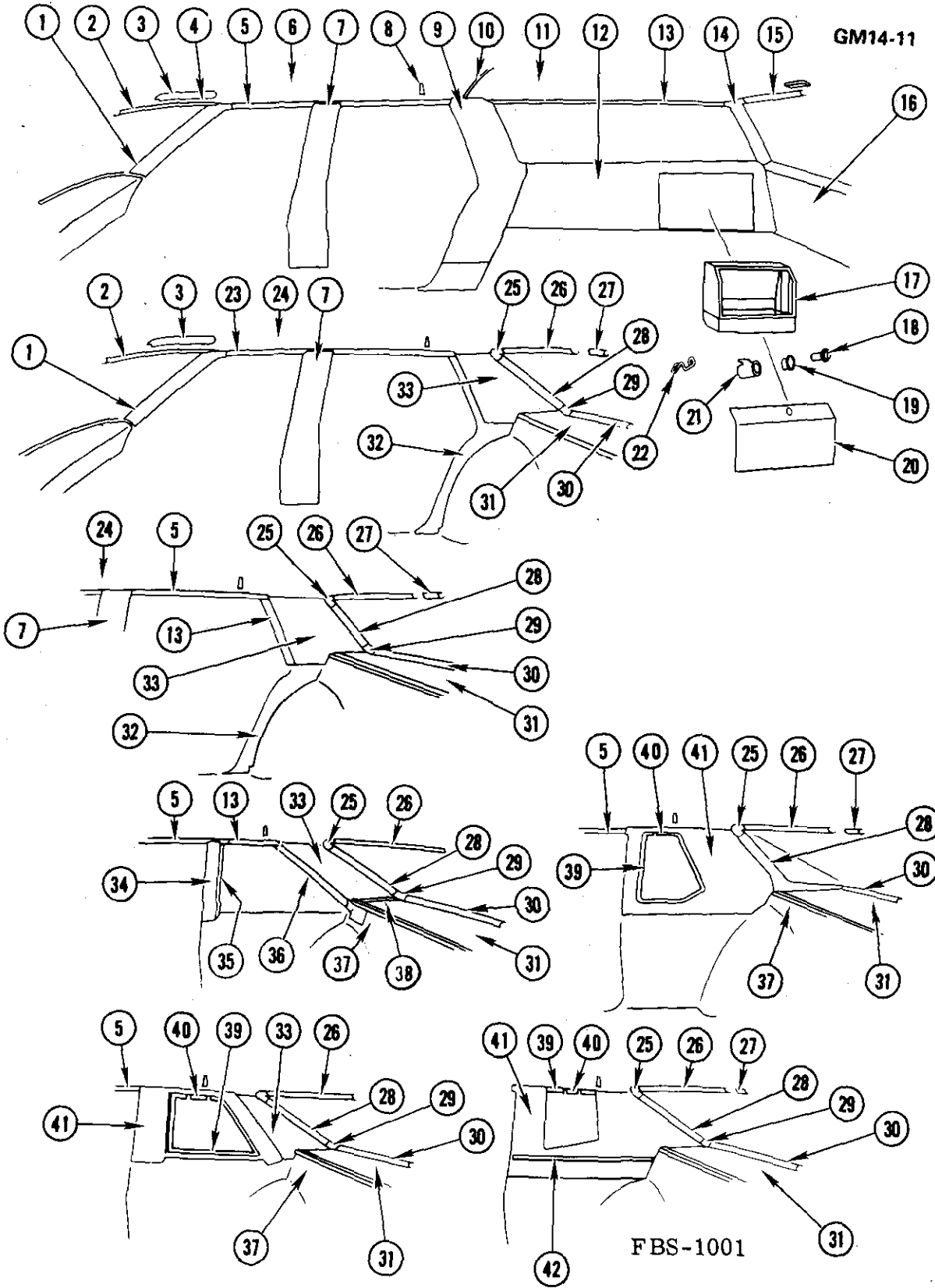
GM14-9

1976 "B" ABOVE BELT INTERIOR TRIM

## 1976 "B" ABOVE BELT INTERIOR TRIM

1.	MOLDING, W/S Garnish-Side	10.051
2.	MOLDING, W/S Garnish-Upper	10.051
3.	SUNSHADE ASM	10.203
4.	SUPPORT, Sunshade	10.219
5.	MOLDING, Roof Inner Side	14.651
6.	HEADLINING	14.640
7.	COVER, Center Pillar-Upper	14.730
8.	COVER ASM, Shoulder Strap Retainer	14.875
9.	HOOK, Coat	15.388
10.	MOLDING, Body Lock Pillar-Above Belt-Finish	14.731
11.	MOLDING, Q/Wdo Lwr Frt Garnish	11.119
12.	MOLDING, Q/Wdo Upr Garnish	11.119
13.	PANEL, Spare Tire Cover-Side-RH	15.100
	PANEL, Wheelhouse Cover Rear-Side-LH	15.099
14.	MOLDING, Back Body Opening Upper Finish	12.968
15.	MOLDING, Back Body Pillar Finish	12.968
16.	PANEL, Tailgate Inner Cover	12.195
17.	MOLDING, Q/Wdo Lower Rear Corner Garnish	11.119
18.	MOLDING, Q/Wdo Lower Rear Garnish	11.119
19.	PANEL, Wheelhouse Cover-Side-RH	15.099
	PANEL, Wheelhouse Cover Front-Side-LH	15.099
20.	MOLDING, Roof Inner Panel Side	14.651
21.	PANEL ASM, Qtr Upper-Above Belt Trim Finish	14.645
22.	LACE, Qtr Wdo Trim Finish Panel	14.650
23.	MOLDING ASM, B/W Upper Corner Garnish	11.120
24.	MOLDING ASM, B/W Upper Garnish	11.120
25.	MOLDING ASM, B/W Si	11.120
26.	ESCUTCHEON, B/W Lwr Cor Garnish Mldg	11.133
27.	TRIM ASM, Rr St to B/W	15.024
28.	MOLDING, B/W Upper & Side Garnish	11.120
29.	MOLDING, B/W Lower Corner Garnish	11.120
30.	MOLDING, B/W Lower Garnish	11.120
31.	PANEL, Trim Qtr Finish	14.731
32.	CHANNEL ASM, Rr Door Stat Vent Div	10.829
	MOLDING, Scp Rr Dr Stat Vent Div Chan-Inner	10.829
33.	LACE ASM, Roof Inner Side Molding Finish	14.650
34.	STRAP, Qtr Courtesy	15.390
35.	LACE, Qtr Upper-Above Belt-Trim	14.650
36.	PANEL ASM, Qtr Upper-Above Belt Trim Finish	14.645

GM14-11



FBS-1001

GM14-11

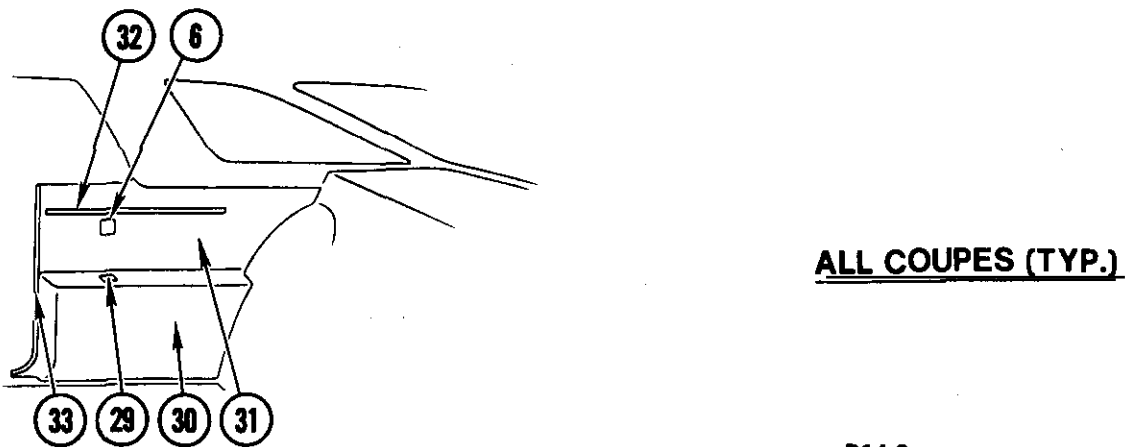
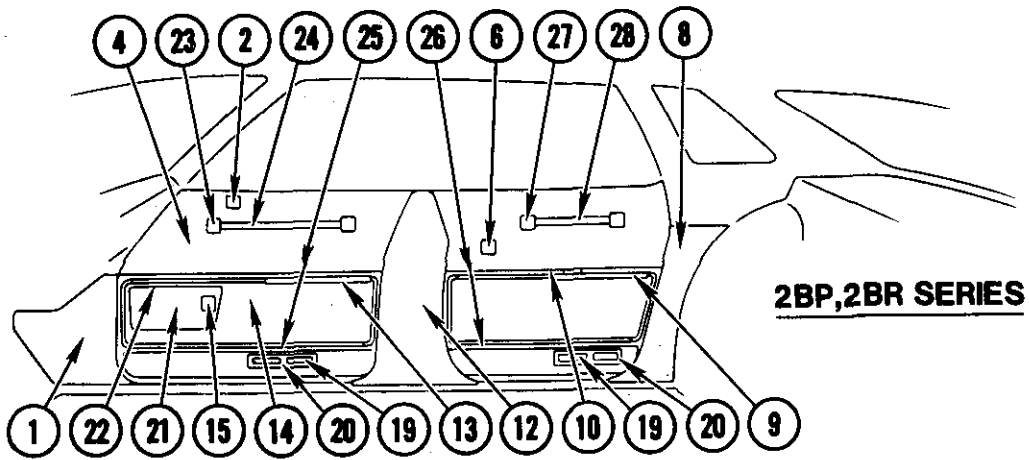
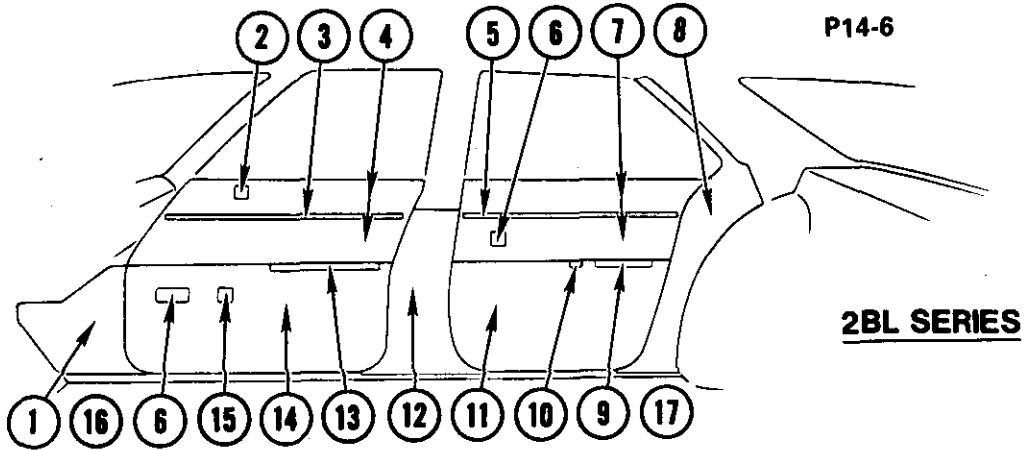
1977-81 "B" ABOVE BELT INTERIOR TRIM

## 1977-81 "B" ABOVE BELT INTERIOR TRIM

1.	MOLDING, Windshield Garnish Side .....	10.051
2.	MOLDING, Windshield Garnish Upper .....	10.051
3.	SUNSHADE ASM .....	10.203
4.	SUPPORT, Sunshade .....	10.219
5.	MOLDING, Roof Inner Side Front .....	14.651
6.	PANEL, Headlining Trim Finish Front(*1) .....	14.640
7.	PANEL, Center Pillar Upper Trim Finish .....	14.730
8.	HOOK ASM, Coat .....	15.388
9.	PANEL, Wheelhouse & Body Lock Pillar Cover Finish .....	12.944
10.	MOLDING, Headlining Trim Finish .....	14.640
11.	PANEL, Headlining Trim Finish Rear(*1) .....	14.640
12.	PANEL ASM, Spare Tire Cover Finish-RH .....	15.100
13.	MOLDING, Roof Inner Side Rear .....	14.651
14.	PANEL, Back Body Pillar Finish .....	12.968
15.	MOLDING, Back Body Opening Upper Finish .....	12.968
16.	PANEL, Tail Gate Inner Trim Finish .....	12.195
17.	POCKET ASM, Quarter Stowage-LH .....	15.100
18.	CYLINDER ASM, Quarter Stowage Pocket Lock .....	15.100
19.	ESCUTCHEON, Quarter Stowage Pocket Lock Cyl .....	15.100
20.	DOOR ASM, Quarter Stowage Pocket-LH .....	15.100
21.	CASE ASM, Quarter Stowage Pocket Lock Cyl .....	15.100
22.	STRIKER, Quarter Stowage Compt Lock-LH .....	12.977
23.	MOLDING, Roof Inner Side .....	14.651
24.	PANEL, Headlining Trim Finish(*1) .....	14.640
25.	ESCUTCHEON, Back Window Garnish Molding Upper .....	11.133
26.	MOLDING, Back Window Garnish Upper .....	11.120
27.	ESCUTCHEON, Back Window Upper Garnish Molding Center .....	11.133
28.	MOLDING, Back Window Garnish Side .....	11.120
29.	ESCUTCHION, Back Window Garnish Molding Lower .....	11.133
30.	MOLDING, Back Window Garnish Lower .....	11.120
31.	TRIM ASM, Rear Seat to Back Window .....	15.024
32.	PANEL, Rear Body Lock Pillar Trim Finish .....	14.731
33.	TRIM ASM, Quarter Upper-Above Belt .....	14.645
34.	PANEL, Quarter Window Front Trim Finish .....	15.100
35.	MOLDING, Quarter Window Opening Front Trim Finish .....	15.101
36.	MOLDING, Quarter Window Garnish Rear .....	11.031
37.	FILLER, Quarter Trim Panel to Rear Seat Back .....	11.629
38.	FILLER, Quarter Upper Section Trim Finish .....	11.629
39.	LACE, Quarter Upper Panel Trim Finish .....	14.650
40.	ESCUTCHEON, Quarter Upper Finish Panel Lace .....	14.645
41.	PANEL ASM, Quarter Upper Trim Finish .....	14.645
42.	MOLDING, Quarter Upper Trim Pad .....	15.101

FBS-1001

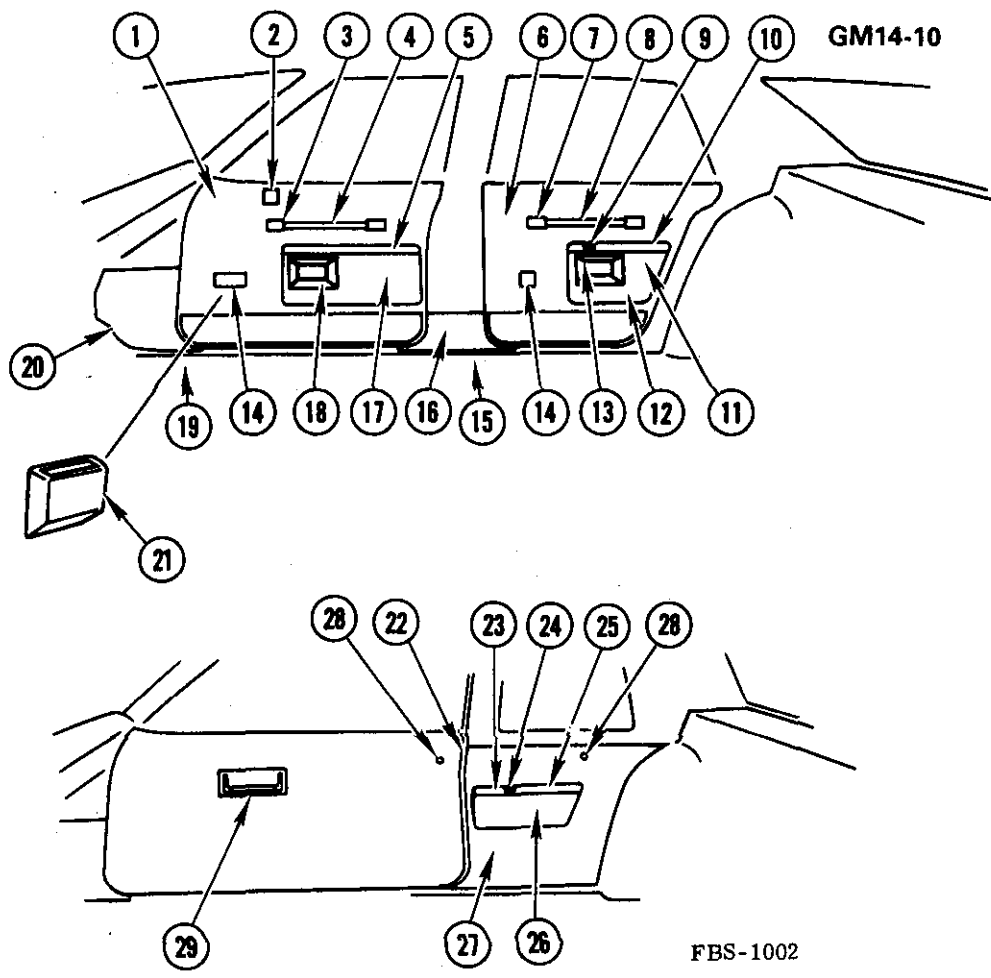
NOTE 1: For a Complete Asm Also Order Headlining Cvr Group 14.640.



1976 "B" BELOW BELT INTERIOR TRIM

## 1976 "B" BELOW BELT INTERIOR TRIM

1.	PANEL, Shrd Si Fin .....	14.630
2.	ESCUTCHEON, O/S Rr/View Mirror Control-LH (Opt) .....	10.186
3.	MOLDING, F/D Trim Fin .....	14.691
4.	TRIM, F/D-Upr .....	14.685
5.	MOLDING, R/D Trim Fin .....	14.764
6.	SWITCH, W/Escut, Dr Wdo .....	10.777
7.	TRIM, R/D-Upr .....	14.760
8.	PANEL, Qtr Inr Fin .....	15.101
9.	PAD, R/D A/Rst .....	14.762
10.	ASH TRAY ASM, R/D A/Rst .....	12.045
11.	PANEL, R/D Lwr Trim Fin .....	14.760
	CARPET, R/D .....	15.306
12.	COVER, Ctr Pnl-Lwr .....	14.730
13.	PAD, F/D A/Rst .....	14.686
14.	PANEL, F/D Lwr Trim Fin .....	14.685
15.	SWITCH, F/D Lk Cont on Trim Pnl .....	10.485
16.	CARPET, Frt Flr .....	15.286
17.	CARPET, Rr Flr .....	15.286
19.	LENS, Frt & Rr Dr Courtesy and Warning Lp .....	14.688
20.	REFLECTOR ASM, Frt & Rr Courtesy and Warning Lp .....	14.688
21.	BASE, F/D Wdo Lwr Mtg (Opt) .....	10.777
22.	COVER, F/D Lwr A/Rst .....	10.777
23.	ESCUTCHEON, F/D Pull Strap .....	14.691
24.	STRAP, F/D Upr Pull .....	14.691
25.	MOLDING ASM, F/D Lwr Trim Pad .....	14.691
26.	MOLDING ASM, Trim Pad R/D Lwr .....	14.764
27.	ESCUTCHEON, R/D Pull Strap .....	14.764
28.	STRAP, R/D Upr Pull .....	14.764
29.	ASH TRAY, Qtr A/Rst .....	12.045
30.	ARM REST, Qtr (Complete) .....	15.108
31.	TRIM ASM, Qtr Upr .....	15.100
32.	MOLDING, Trim Pad Qtr Upr .....	15.101
33.	LACE, Pinchweld Fin Bdy Lk Plr .....	14.735



GM14-10

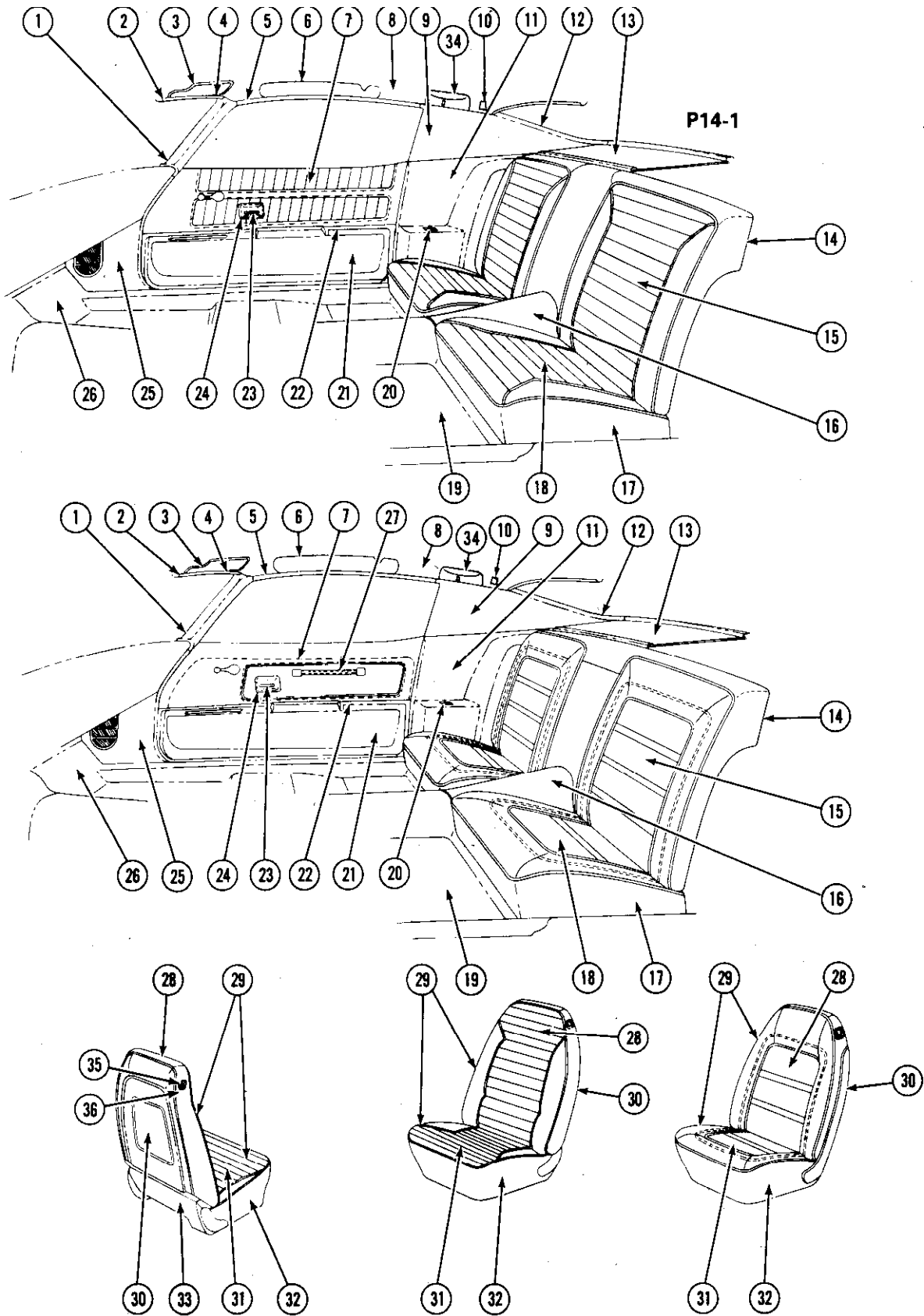
**1977-81 "B" BELOW BELT INTERIOR TRIM**

1. TRIM ASM, Front Door	14.685	16. PANEL, Ctr Panel Lower Trim Finish	14.730
2. ESCUTCHEON, Outside Rr View Mirror Cont	10.186	17. BASE, Door Arm Rest	14.686
3. COVER ASM, Door Pull Strap	14.691	18. CUP, Door Remote Control Finish	14.688
4. STRAP ASM, Door Pull	14.691	19. CARPET ASM, Front Floor	15.286
5. PAD ASM, Door Arm Rest	14.686	20. PANEL, Cowl Trim	14.630
6. TRIM ASM, Rear Door	14.760	21. BASE, Door Window Lower Mtg (Pontiac Only)	10.777
7. COVER ASM, Door Pull Strap	14.764	22. LACE, Body Lock Pillar Pinch Weld	14.735
8. STRAP ASM, Door Pull	14.764	23. ASH TRAY, Quarter Arm Rest Ash	12.045
9. ASH TRAY, Door Arm Rest Ash	12.045	24. ESCUTCHEON, Quarter Arm Rest Ash Tray	12.048
10. PAD ASM, Door Arm Rest	14.762	25. PAD ASM, Quarter Arm Rest	15.108
11. BASE, Door Arm Rest	14.762	26. BASE, Quarter Arm Rest	15.108
12. CUP, Door Remote Control Finish	10.515	27. TRIM ASM, Quarter Below Belt-Embossed	15.100
13. ESCUTCHEON, Door Arm Rest Ash	12.048	28. BUTTON, Trim Pad	14.804
14. SWITCH, W/Escut, Door Window	10.777	29. HANDLE ASM, Frt & Rr Door Pull	14.691
15. CARPET ASM, Rear Floor	15.306		

FBS-1002

# NOTES

BLANK-58

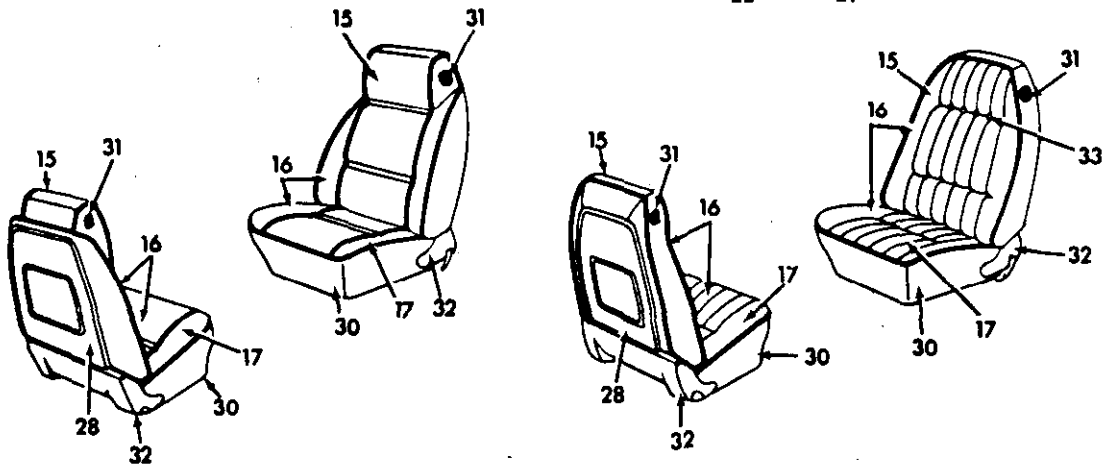
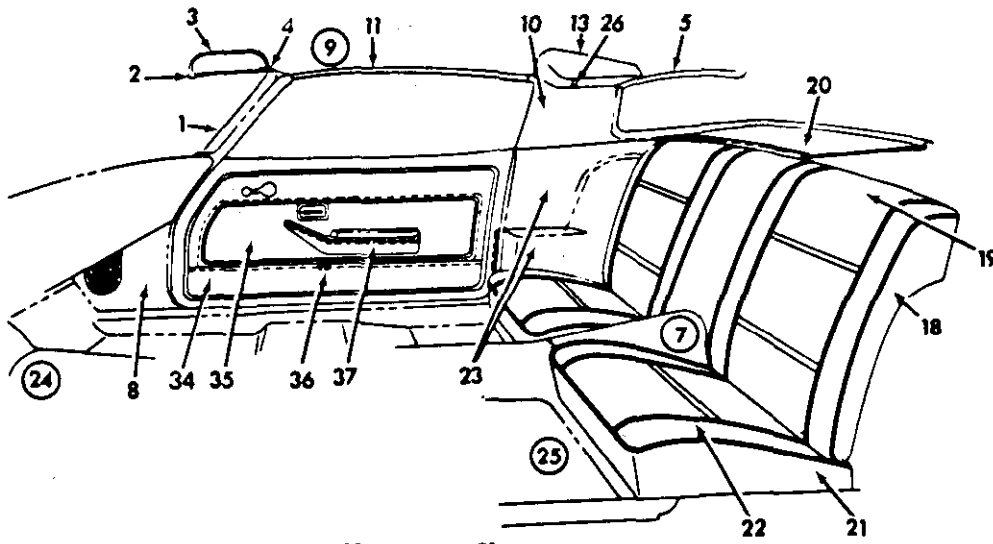
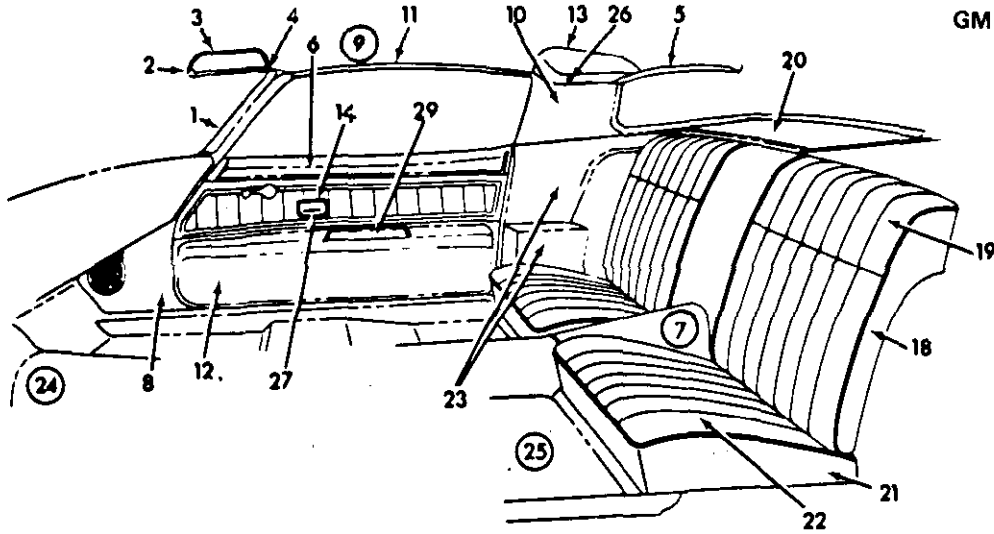


**1976-77 "F" INTERIOR TRIM (STANDARD & CUSTOM)**

**1976-77 "F" INTERIOR TRIM (STANDARD & CUSTOM)**

1.	MOLDING, W/S Garn-Si	10.051
2.	LACE, W/S Trim Fin	14.650
3.	SUNSHADE ASM	10.203
4.	SUPPORT, Sunshade	10.219
5.	MOLDING, Rf Inr Pnl Si	14.651
6.	RETAINER, Frt St Shldr Strap	14.875
7.	TRIM ASM, F/D	14.685
8.	TRIM ASM, Hdng	14.640
9.	PANEL, Qtr Inr Up Trm Fin	14.645
10.	HOOK, Coat	15.388
11.	PANEL, Qtr Inr Lwr Trm Fin	15.101
12.	LACE, B/W Trim Fin	14.650
13.	TRIM ASM, Rr St to B/W	15.024
14.	FRAME, W/Springs, Rr St Bk	11.628
	PAD, Rr St Bk	15.036
15.	COVER, Rr St Bk	15.000
16.	TRIM, Rr Flr Rr Ctr (Between Cushions)	15.306
17.	FRAME, W/Springs, Rr St Cush	11.610
	PAD, Rr St Cush	15.036
18.	COVER, Rr St Cush	15.035
19.	CARPET, Rr Flr	15.306
20.	ASH TRAY ASM, Qtr A/Rst	12.045
21.	PANEL, F/D Trim Fin-Lwr	14.685
22.	PAD, F/D Lwr Trim Pnl Fin A/Rst	14.686
23.	HANDLE, F/D Lk Rem & Cont	10.512
24.	ESCUTCHEON, F/D Lk Cont Hdl	10.515
25.	PANEL, Shrd Si Fin	14.630
26.	CARPET, Frt Flr	15.286
27.	STRAP, W/Escut, F/D Pull	14.691
28.	COVER, D/P St Bk	14.800
29.	SEAT, D/P Compl	14.896
30.	FRAME, D/P St Bk	11.362
	PANEL, D/P St Bk	11.358
	PAD, D/P St Bk	14.802
31.	COVER, D/P St Cush	14.880
32.	FRAME, W/Springs, D/P St Btm	11.419
	PAD, D/P St Btm	14.890
33.	COVER, D/P St Btm Frame Rear Bar (Paint)	14.810
34.	COVER ASM, Shldr Strap Retr	14.875
35.	GUIDE, St Bk Shldr Strap	14.875
36.	ESCUTCHEON, St Bk Shldr Strap	14.875

GM 14-18



FBS-504

GM14-18

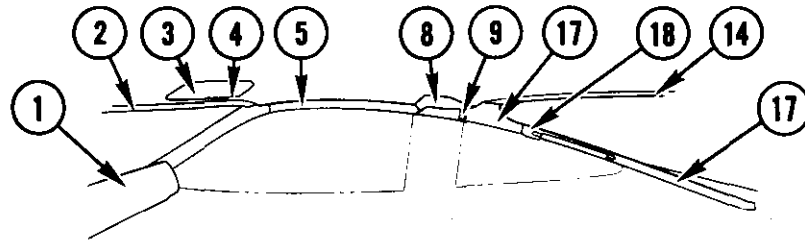
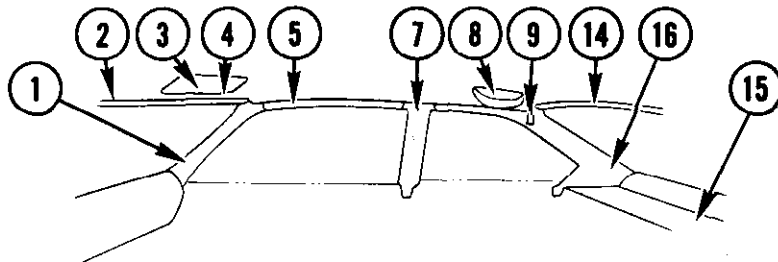
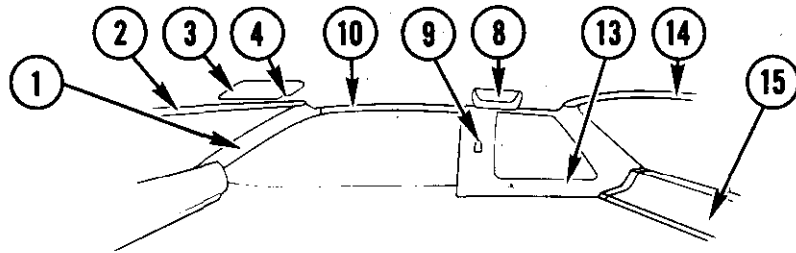
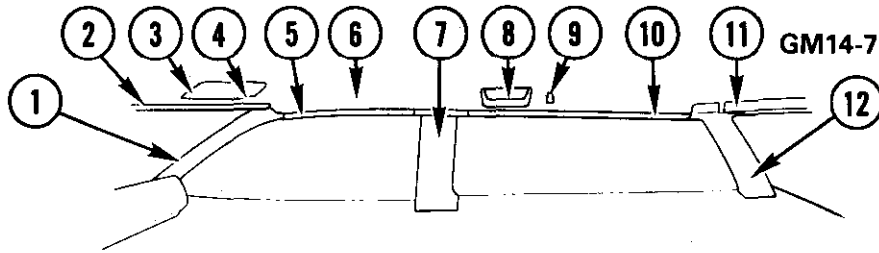
1978-81 "F" INTERIOR TRIM

## 1978-81 "F" INTERIOR TRIM

1.	MOLDING, Garn W/S Side	10.051
2.	MOLDING, Garn W/S Up	10.051
3.	SUNSHADE, Trimmed	10.203
4.	SUPPORT, Sunshade	10.219
5.	MOLDING, B/W Up Garn	14.650
6.	TRIM ASM, Frt Door Up	14.685
7.	TRIM, Rr Floor Rr	15.306
8.	PANEL, Shroud Side Fin	14.630
9.	HEADLINING	14.640
10.	PANEL, Qtr Inr Up Trim Fin	14.645
11.	MOLDING, Roof Inr Pnl Side	14.651
12.	PANEL, Trim Fin Frt Door Lwr	14.685
13.	COVER ASM, Retractor Shoulder Strap	14.875
14.	ESCUTCHEON, Frt Door Lk Rem Cont Hdl	10.515
15.	COVER, P & D Seat Back	14.800
	PAD ASM, P & D Seat Back Wire	14.802
	FRAME ASM, P & D Seat Back	11.373
16.	SEAT, P & D(*1)	14.896
17.	COVER, P & D Seat Cushion	14.880
	PAD ASM, P & D Seat Btm	14.890
18.	FRAME ASM, Rr Seat Back	11.628
	PAD, W/Wire, Rr Seat Back	15.002
19.	COVER, Rr Seat Back	15.000
20.	TRIM ASM, Rr Seat to B/W	15.024
21.	SPRING, W/Frame Asm, Rr Seat Cushion	11.610
	PAD, Rr Seat Cushion	15.036
22.	COVER, Rr Seat Cushion	15.035
23.	PANEL, Qtr Inr Lwr Trim	15.100
24.	CARPET, Frt Floor	15.286
25.	CARPET, Rr Floor	15.306
26.	HOOK, Coat	15.388
27.	HANDLE, Frt Door Lk Rem Cont	10.512
28.	PANEL, Fin P & D Seat Back	11.358
29.	PAD, F/D Lwr Trim Fin Pnl A/Rest	14.686
30.	SPRING, W/Frame Asm, P & D Seat Btm	11.419
31.	GUIDE, Shoulder Strap P & D Seat Bak	14.875
	ESCUTCHEON, Shoulder Strap P & D Seat Back	14.875
32.	COVER, P & D Seat Arm Lk	11.390
33.	BUTTON ASM, Seat Back	14.804
34.	MOLDING ASM, Trim Pad Frt Door	14.691
35.	TRIM, Frt Door Less Mldg	14.685
36.	BUTTON ASM, Snap Frt Door Map Pkt	14.804
37.	ARM REST ASM, Frt Door	14.686

FBS-504

NOTE 1: Seats are available from production during the current model year only. Orders for these seats are to be submitted to dealers normal shipping PDC for forwarding to GMPD-Flint, Attn: Engineering-NPN Department. When ordering it is necessary that the following information is included- 1. Year and Model. 2. Trim and Combination Number. 3. Seat RPO Number.

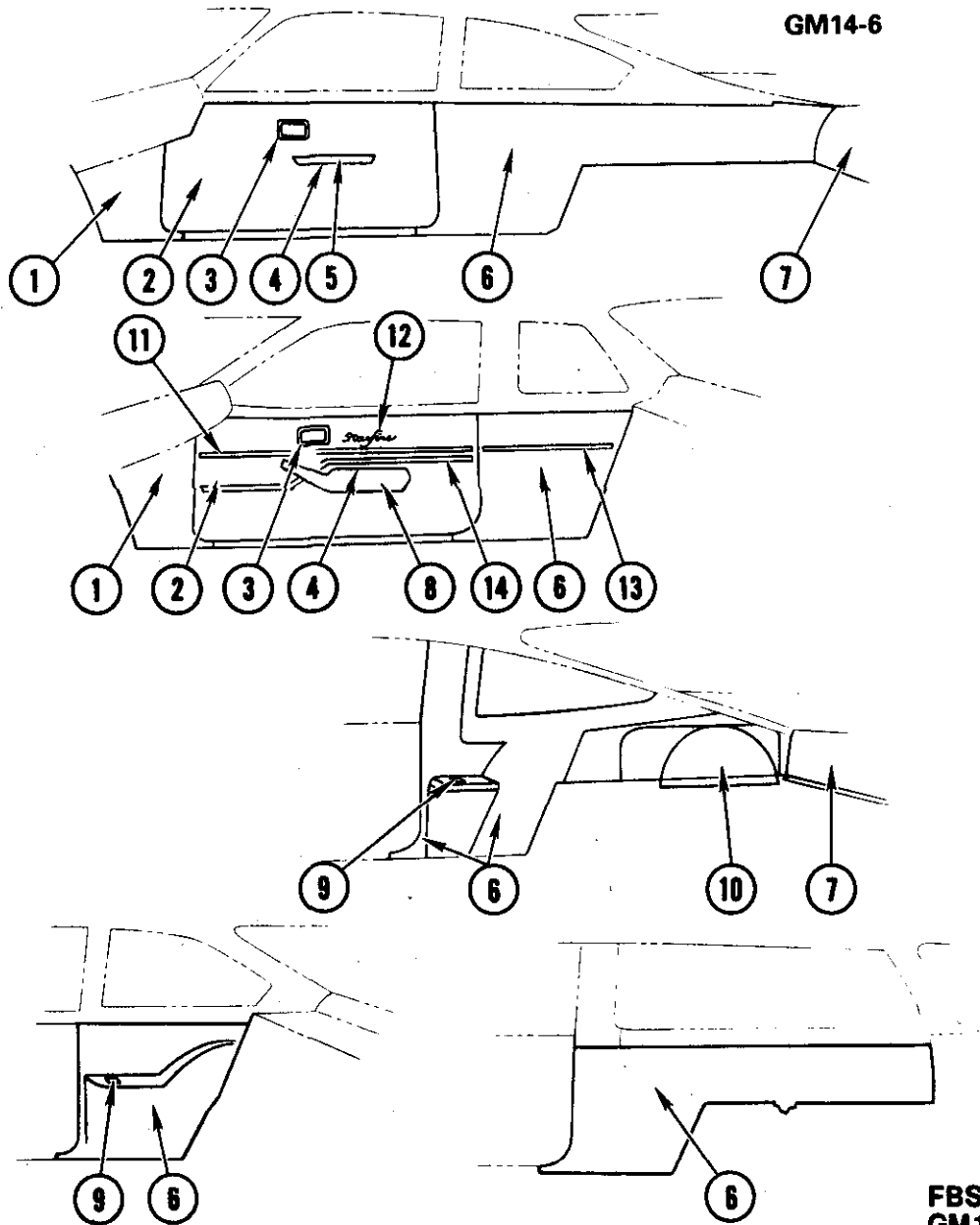


GM14-7

**1976-80 "H" ABOVE BELT INTERIOR TRIM**

1. MOLDING, W/S Side Garnish	10.051	12. PANEL, Back Body Pillar-Finish	12.968
2. MOLDING, W/S Upper Garnish	10.051	13. PANEL, Qtr Upper-Above Belt Trim Finish	14.645
3. SUNSHADE ASM	10.203	14. MOLDING, B/W Upper Garnish	11.120
4. SUPPORT ASM, Sunshade	10.219	15. FOUNDATION, Rear Seat to Back Window Panel	15.024
5. MOLDING, Roof Inner Side Front	14.651	16. MOLDING ASM, Rear of Qtr Wdo-Otr Inner Finish	15.101
6. PANEL, Headlining	14.640	17. MOLDING, Roof Inner Side-Rear	14.651
7. COVER, Body Lock Pillar-Above Belt	14.731	18. COVER, Counter Balance Supt-Body Side	12.187
8. COVER ASM, Shoulder Strap Retainer	14.875		
9. HOOK ASM, Coat	15.388		
10. MOLDING, Roof Inner Side	14.651		
11. PANEL, Back Door Hinge & Torque Rod	12.187		

GM14-6



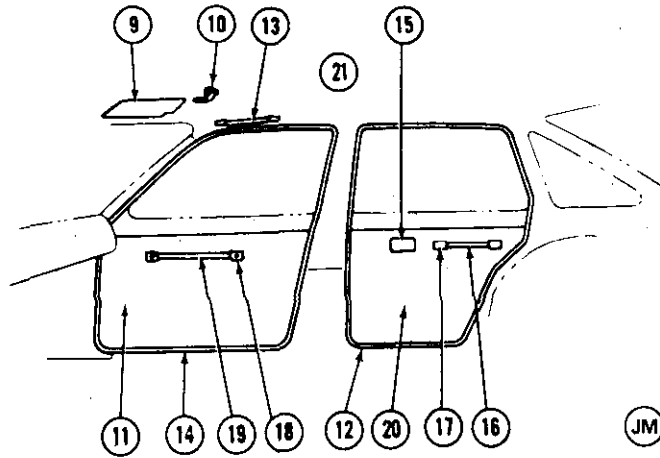
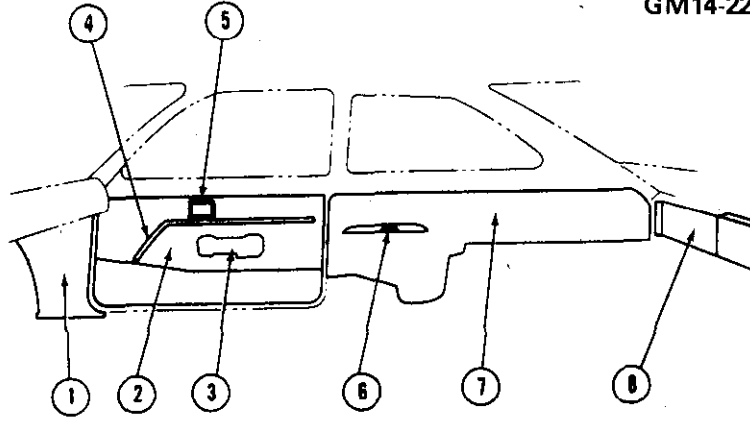
FBS-1004  
GM14-6

GM14-6

**1976-80 "H" BELOW BELT INTERIOR TRIM**

1. PANEL, Shroud Side Finish .....	14.630	9. ASH TRAY, Qtr Arm Rest Ash .....	12.045
2. TRIM ASM, Front Door .....	14.685	10. PANEL ASM, Quarter Rear Trim Finish	15.100
3. ESCUTCHEON, Door Trim Pad Handle .....	10.515	11. MOLDING, Front Door Trim Pad-	
4. CUP, Door Trim Panel Pull .....	10.515	W/Custom Trim .....	14.691
5. PAD ASM, Front Door Arm Rest .....	14.686	12. PLATE, Trim Pad Name-"STARFIRE"	
6. PANEL ASM, Quarter Trim Finish .....	15.100	(Olds) .....	14.691
7. PANEL, Rear End Compt Trim Finish ..	15.222	13. MOLDING, Quarter Trim Pad .....	15.101
8. ARM REST ASM, Front Door .....	14.688	14. MOLDING, Front Door Trim Pad-	
		W/Standard Trim .....	14.691

FBS-1004

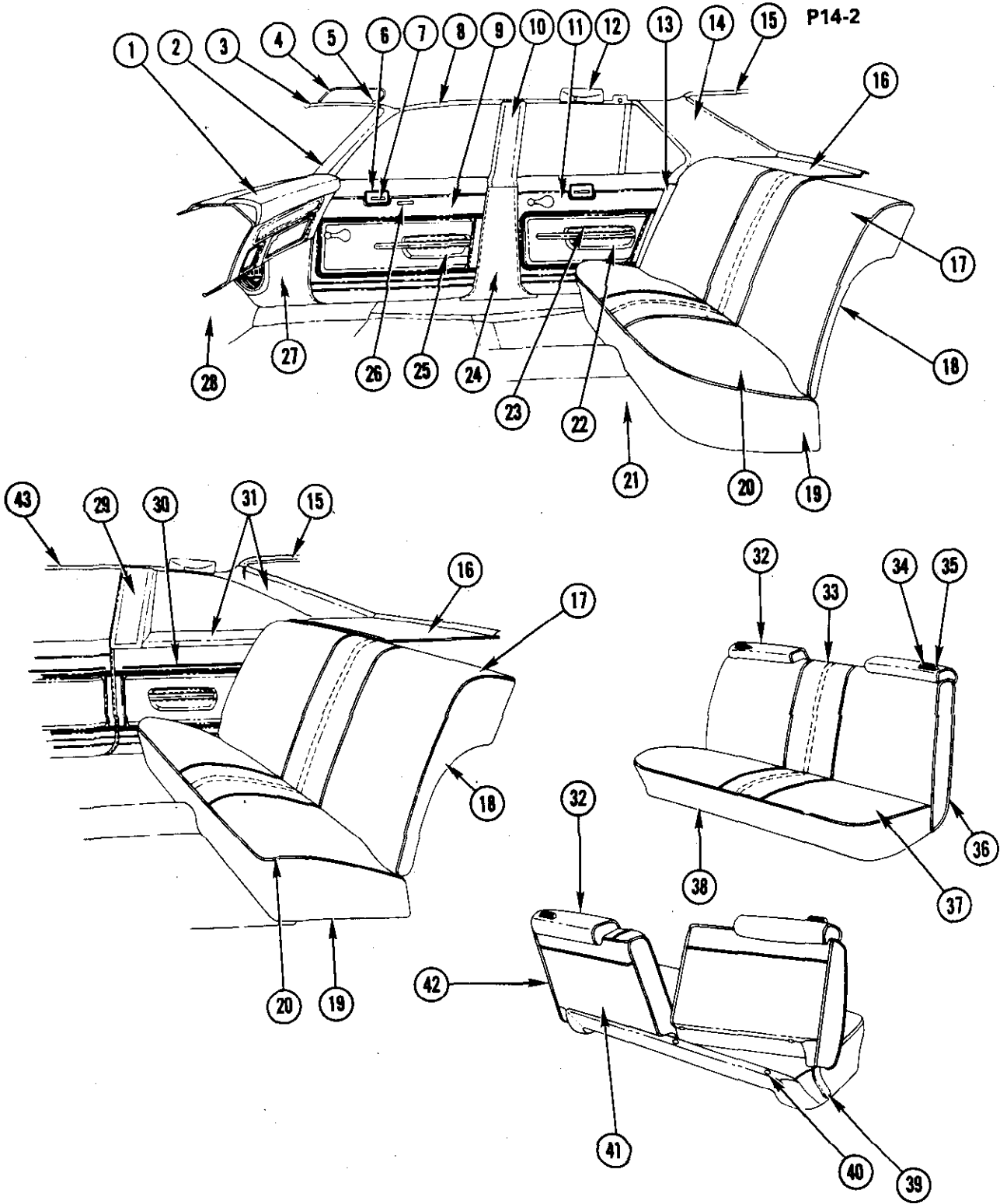


**1981 "T" INTERIOR TRIM**

1. PANEL, Shrd Side Fin .....	14.630	11. PANEL ASM, Frt Door Trim Fin .....	14.685
2. TRIM ASM, Frt Door .....	14.685	12. WEATHERSTRIP ASM, Rr Door .....	10.694
3. ARMREST, Frt Door .....	14.686	13. HANDLE ASM, Asst Roof Rail Frt-RH .....	15.390
4. MOLDING ASM, Trim Pad Frt Door .....	14.691	14. WEATHERSTRIP ASM, Frt Door .....	10.694
5. ESCUTCHEON, Hdl Rem Frt Door Trim Pad .....	10.515	15. ESCUTCHEON, Hdl Rem Rr Door Trim Pad .....	10.515
6. TRAY ASM, Qtr A/Rest Asm .....	12.045	16. STRAP, Rr Door Pull .....	14.764
7. PANEL ASM, Trim Fin Qtr .....	15.100	17. COVER, Rr Door Pull Strap .....	14.764
8. PANEL, Trim Compt Rr End .....	15.222	18. ESCUTCHEON, Frt Door Pull Strap .....	14.691
9. SUNSHADE ASM .....	10.203	19. STRAP, Frt Door Pull .....	14.691
10. SUPPORT ASM, S/S .....	10.219	20. TRIM ASM, Rr Door .....	14.760
		21. HEADLINING ASM .....	14.640

# NOTES

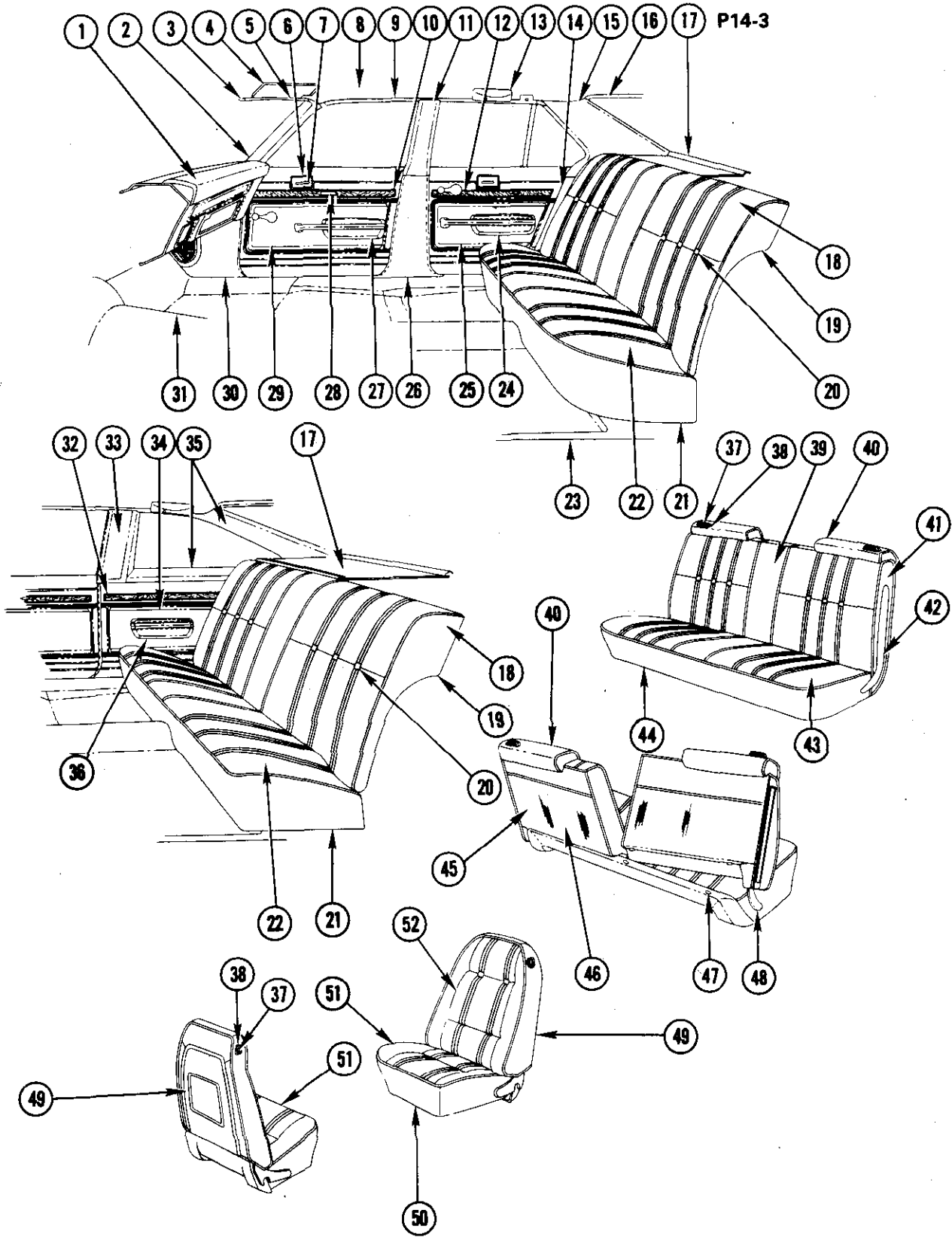
BLANK-59



1976-79 "X" INTERIOR TRIM (STANDARD)

## 1976-79 "X" INTERIOR TRIM (STANDARD)

1.	COVER, I/P .....	14.655
2.	MOLDING, W/S Si Garn .....	10.051
3.	MOLDING ASM, W/S Upr Garn .....	11.120
4.	SUNSHADE ASM .....	10.203
5.	SUPPORT, Sunshade .....	10.219
6.	ESCUTCHEON, Dr Lk Hdl .....	10.515
7.	HANDLE, Dr Lk Rem Cont .....	10.512
8.	TRIM ASM, Hdng .....	14.640
9.	TRIM PAD, F/D .....	14.685
10.	COVER, Ctr Plr-Upr .....	14.730
11.	TRIM PAD, R/D .....	14.780
12.	COVER ASM, Retractor Shldr Strap .....	14.875
13.	PANEL, Qtr Inr Fin .....	15.101
14.	PANEL, Qtr Upr Abv Belt Trim Fin .....	12.941
15.	MOLDING, B/W Upr Garn .....	11.120
16.	TRIM ASM, Rr St to B/W .....	15.024
17.	COVER, Rr St Bk .....	15.000
18.	FRAME, Rr St Bk .....	11.628
	PAD, Rr St Bk .....	15.002
19.	COVER, Rr St Cush .....	15.035
20.	FRAME, Rr St Cush .....	11.610
	PAD, Rr St Cush .....	15.036
21.	MAT, Rr Flr Rub .....	15.308
22.	ARM REST ASM, R/D .....	14.762
23.	TRAY ASM, R/D A/Rst Ash .....	12.045
24.	COVER, Ctr Plr-Lwr .....	14.730
25.	ARM REST ASM, F/D .....	14.686
26.	PLATE, F/D Trim Pad Name .....	14.691
27.	PANEL, Shrd Si Trim Fin .....	14.630
28.	MAT, Frt Flr Rub .....	15.286
29.	MOLDING, Qtr Wdo Garn Frt .....	15.101
30.	PANEL, Qtr Inr Lwr .....	15.101
31.	PANEL, Qtr Belt Trim Fin .....	15.101
	PANEL, Trim Fin Qtr Wdo Rr .....	14.645
32.	COVER, P/D St Bk Hd Rest .....	14.924
33.	COVER, Frt St Bk .....	14.800
34.	GUIDE, Shldr Strap .....	14.875
35.	ESCUTCHEON, Shldr Strap .....	14.875
36.	PANEL, Frt St Bk .....	11.373
	PAD, Frt St Bk .....	14.802
37.	COVER, Frt St Cush .....	14.880
38.	SPRING, W/Frame Frt St Btm .....	11.610
	PAD, Frt St Btm .....	14.890
39.	COVER, St Bk Hng Otr .....	11.375
40.	BUMPER, Frt St Bk Frm .....	11.381
41.	COVER, P/D St Bk .....	14.800
42.	PANEL ASM, P/D St Bk .....	11.373
	PAD, P/D St Bk .....	14.802
43.	MOLDING, Rf Inr Si .....	14.651

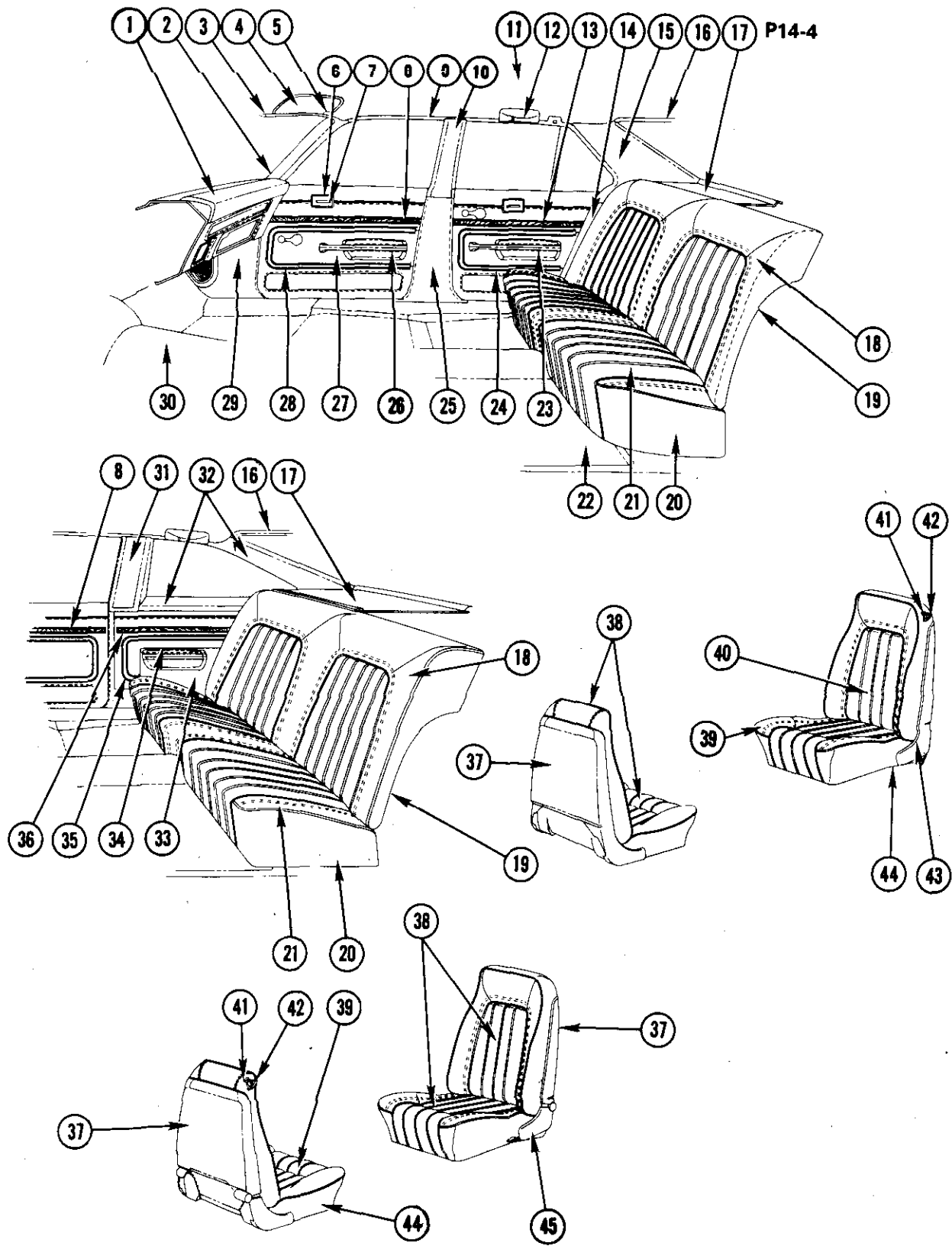


P14-3

1976-79 "X" INTERIOR TRIM (CUSTOM)

## 1976-79 "X" INTERIOR TRIM (CUSTOM)

1.	PAD, I/P	14.655
2.	MOLDING, W/S Side Garn	10.051
3.	MOLDING, W/S Upr Garn	10.051
4.	SUNSHADE ASM	10.203
5.	SUPPORT, Sunshade	10.219
6.	ESCUTCHEON, Dr Lk Rem Cont Hdl	10.515
7.	HANDLE, Dr Lk Rem Cont	10.512
8.	PANEL ASM, Hdlng	14.640
9.	MOLDING, Rf Inr Si	14.651
10.	PANEL, F/D Trim Fin	14.691
11.	COVER, Ctr Plr-Upr	14.730
12.	PANEL, R/D Trim fin	14.764
13.	COVER ASM, Retractor Shldr Strap	14.875
14.	PANEL, Qtr Lwr Inr Fin	15.101
15.	PANEL, Qtr Upr Trim Fin	14.645
16.	MOLDING, B/W Upr Garn	11.120
17.	TRIM ASM, Rr St to B/W	15.024
18.	COVER, Rr St Bk	15.000
19.	FRAME, Rr St Bk	11.628
	PAD, Rr St Bk	15.002
20.	BUTTON, St Bk Trim	14.804
21.	FRAME, Rr St Cush	11.610
	PAD, Rr St Cush	15.036
22.	COVER, Rr St Cush	15.035
23.	CARPET, Rr Flr	15.306
24.	ARM REST, R/D	14.762
25.	TRIM PAD, R/D	14.760
26.	COVER, Ctr Plr-Lwr	14.730
27.	ARM REST, F/D	14.686
28.	EMBLEM, F/D Trim Pnl	14.691
29.	TRIM PAD, F/D	14.685
30.	PANEL, Shrd Si Trim Fin	14.630
31.	CARPET, Frt Flr	15.286
32.	PANEL, Qtr Trim Fin	15.101
33.	MOLDING, Qtr Wdo Garn-Frt	11.119
34.	TRIM, Rr Qtr	15.100
35.	PANEL, Qtr Belt Trim Fin	15.101
	PANEL, Trim Fin Qtr Wdo Rr	14.645
36.	ASH TRAY, Rr Qtr	12.045
37.	GUIDE, Shldr Strap	14.875
38.	ESCUTCHEON, Shldr Strap	14.875
39.	COVER, Frt St Bk	14.800
40.	COVER, St Bk Hd Rst	14.924
41.	PANEL, Frt St Bk	11.373
	PAD, Frt St Bk	14.802
42.	MOLDING, St Bk Otr	14.818
43.	COVER, Frt St Cush	14.880
44.	SPRING & FRAME, Frt ST Btm	11.419
	PAD, Frt St Bk	14.890
45.	PANEL ASM, P/D St Bk	11.373
	PAD, P/D St Bk	14.802
46.	COVER, P/D Bk	14.800
47.	BUMPER, Frt St Bk Frm	11.381
48.	COVER, St Bk Otr Hng	11.375
49.	PANEL ASM, P/D St Bk	11.362
	PANEL, P/D St Bk Fin	11.358
	PAD, W/Wire P/D St Bk	14.802
50.	SPRING, W/Frame Asm P/D St Btm Supt	11.419
	PAD, W/Wire P/D St Btm Supt	14.890
51.	COVER, P/D Cush	14.880
52.	COVER, P/D Bk	14.800



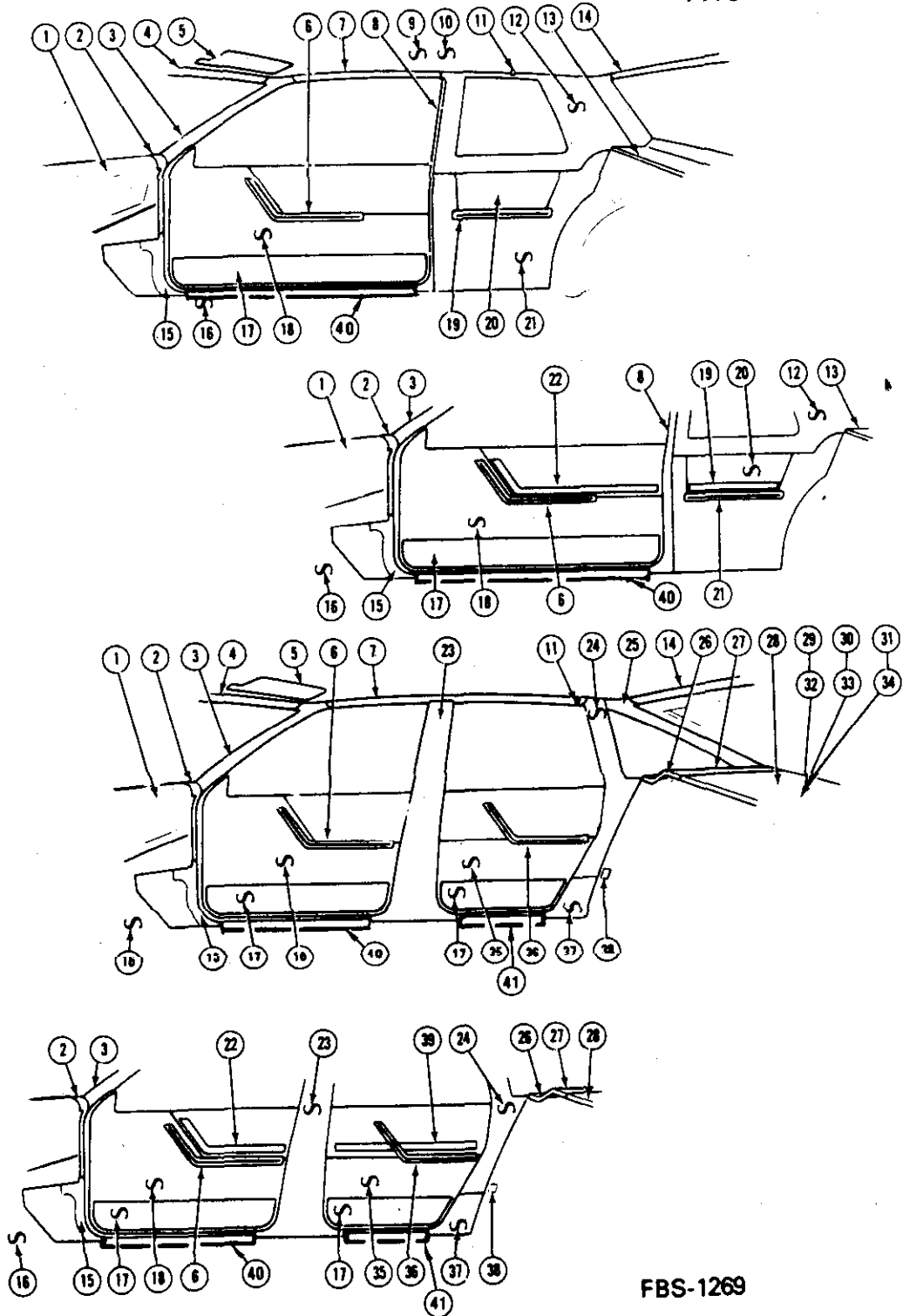
P14-4

1976-79 "X" INTERIOR TRIM ("SJ")

## 1976-79 "X" INTERIOR TRIM ("SJ")

1.	COVER, I/P	14.855
2.	MOLDING, W/S Si Garn	10.051
3.	MOLDING, W/S Upr Garn	10.051
4.	SUNSHADE ASM	10.203
5.	SUPPORT, Sunshade	10.219
6.	ESCUTCHEON, Dr Lk Rem Cont Hdl	10.515
7.	HANDLE, Dr Lk	10.512
8.	MOLDING, Trim Pad Dr-Upr	14.691
9.	MOLDING, Rf Inr Si	14.851
10.	COVER, Ctr Pir-Upr	14.730
11.	TRIM ASM, Hdng	14.640
12.	COVER ASM, Shldr Strap Retractor	14.875
13.	MOLDING, Dr Trim Pad-Upr	14.764
14.	PANEL, Qtr Inr-Fin	15.101
15.	PANEL, Qtr Upr Trim Fin	14.645
16.	MOLDING, B/W Upr Garn	11.120
17.	TRIM ASM, Rr St to B/W	15.024
18.	COVER, Rr St Bk	15.000
19.	FRAME, Rr St Bk	11.628
	PAD, Rr St Bk	15.002
20.	FRAME, Rr St Cush	11.610
	PAD, Rr St Cush	15.036
21.	COVER, Rr St Cush	15.035
22.	CARPET, Rr Flr	15.036
23.	ARM REST, R/D	14.762
24.	MOLDING, Dr Trim Pad-Inside	14.764
25.	COVER, Ctr Pir-Lwr	14.730
26.	ARM REST, F/D	14.886
27.	TRIM PAD, F/D	14.685
28.	MOLDING, Dr Trim Pad-Inside	14.691
29.	PANEL, Shrd Si Trim Fin	14.630
30.	CARPET, Frt Flr	15.286
31.	MOLDING, Qtr Wdo Garn-Frt	11.119
32.	PANEL, Qtr Belt Trim Fin	15.101
	PANEL, Trim Fin Qtr Wdo Rr	14.645
33.	TRIM, Qtr Upr-Below Belt	15.100
34.	ASH TRAY, Rr Qtr	12.045
35.	MOLDING, Qtr Trim Pad-Inside	15.101
36.	MOLDING, Qtr Trim Pad-Upr	15.101
37.	PANEL, P/D St Bk Fin	11.358
	PAD, W/Wire P/D St Bk	14.802
38.	SEAT ASM, Complete	14.896
39.	COVER, P/D Cush	14.880
40.	COVER, P/D Bk	14.800
41.	ESCUTCHEON, Shldr Strap	14.875
42.	GUIDE, Shldr Strap	14.875
43.	MOLDING, St Bk Pnl Fin	11.358
44.	SPRING, W/Frame Asm P/D St Btm Supt	11.419
	PAD, W/Wire P/D St Btm Supt	14.890
45.	COVER, St Bk Arm & Lk	11.390

P14-8



FBS-1269

P14-8

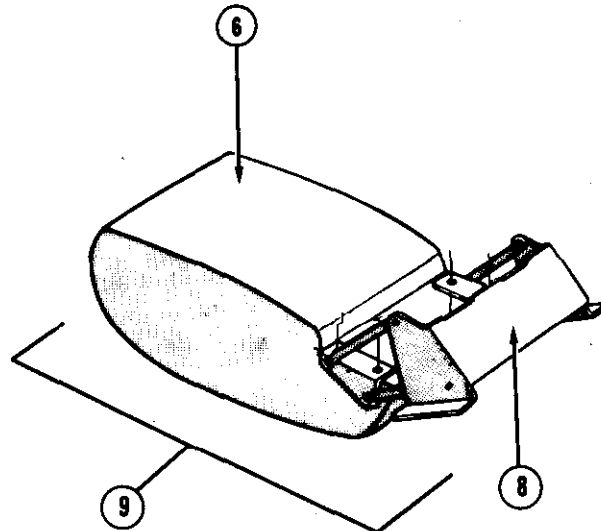
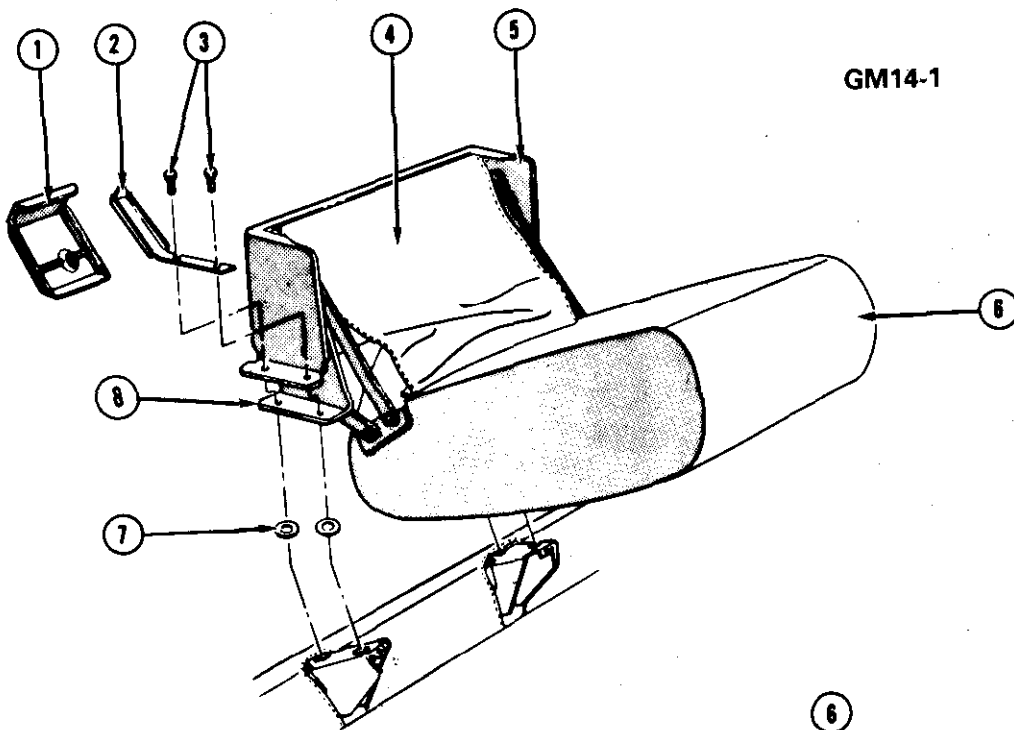
1980-81 "X" INTERIOR TRIM

## 1980-81 "X" INTERIOR TRIM

1.	PAD, I/P	14.655
2.	MOLDING, W/S Si Lwr	10.051
3.	MOLDING, W/S Si Up	10.051
4.	MOLDING, W/S UPr	10.051
5.	SUNSHADE ASM	10.203
6.	PAD ASM, F/D Arm Rest Pull Hdl	14.686
7.	MOLDING, Rf Inr Si Fin	14.651
8.	PANEL, Trim Fin Bdy Lk Plr	14.731
9.	PANEL, Trim Fin HdIng	14.640
10.	COVER, Trim Fin HdIng	14.640
11.	HOOK, Coat	15.388
12.	PANEL, Qtr Up Abv Belt Fin(*1)	14.645
13.	FOUNDATION, Rr St to B/W(*1)	15.024
14.	MOLDING, B/W Up Garn(*1)	11.120
15.	PANEL, Shrd Si Trim Fin	14.630
16.	CARPET ASM, Flr	15.286
17.	CARPET, Yardage	15.512
18.	TRIM ASM, F/D	14.685
19.	PAD, Qtr Arm Rest(*1)	15.108
20.	TRIM, Qtr Up Below Belt	15.100
21.	PANEL, Qtr Lwr Trim Fin	15.101
22.	MOLDING, F/D Up Trim Pad	14.691
23.	PANEL, Bdy Ctr Plr	14.730
24.	PANEL, Qtr Wdo Frt Trim Fin(*1)	15.100
25.	PANEL, Qtr Wdo Rr Trim Fin(*1)	15.100
26.	GRILLE, Rr Spkr(*1)	9.655
27.	PANEL, Rr St to B/W Supt Trim Fin(*1)	15.100
28.	FOUNDATION, Rr St to B/W	15.024
29.	FRAME, Rr St Back(*2)	11.628
30.	RETAINER, Rr St to B/W Hold(*2)	13.260
31.	FASTENER, Rr St to B/W Rr(*2)	15.222
32.	FASTENER, Rr St to B/W Pnl Ins(*1,2)	15.222
33.	STRAP, Rr St to B/W Frm(*2)	15.222
34.	SEALING STRIP, Rr St to B/W Frt(*2)	12.971
35.	TRIM, R/D	14.760
36.	PAD, R/D Arm Rest Pull Hdl(*1)	15.108
37.	PANEL, Trim Fin Qtr Lwr	15.101
38.	MOLDING, Trim Pad R/D Up	14.764
39.	MOLDING, Trim Pad R/D Up	14.764
40.	RETAINER, Cpt F/D Opg on Rkr	11.175
41.	RETAINER, Cpt R/D Opg on Rkr	11.179

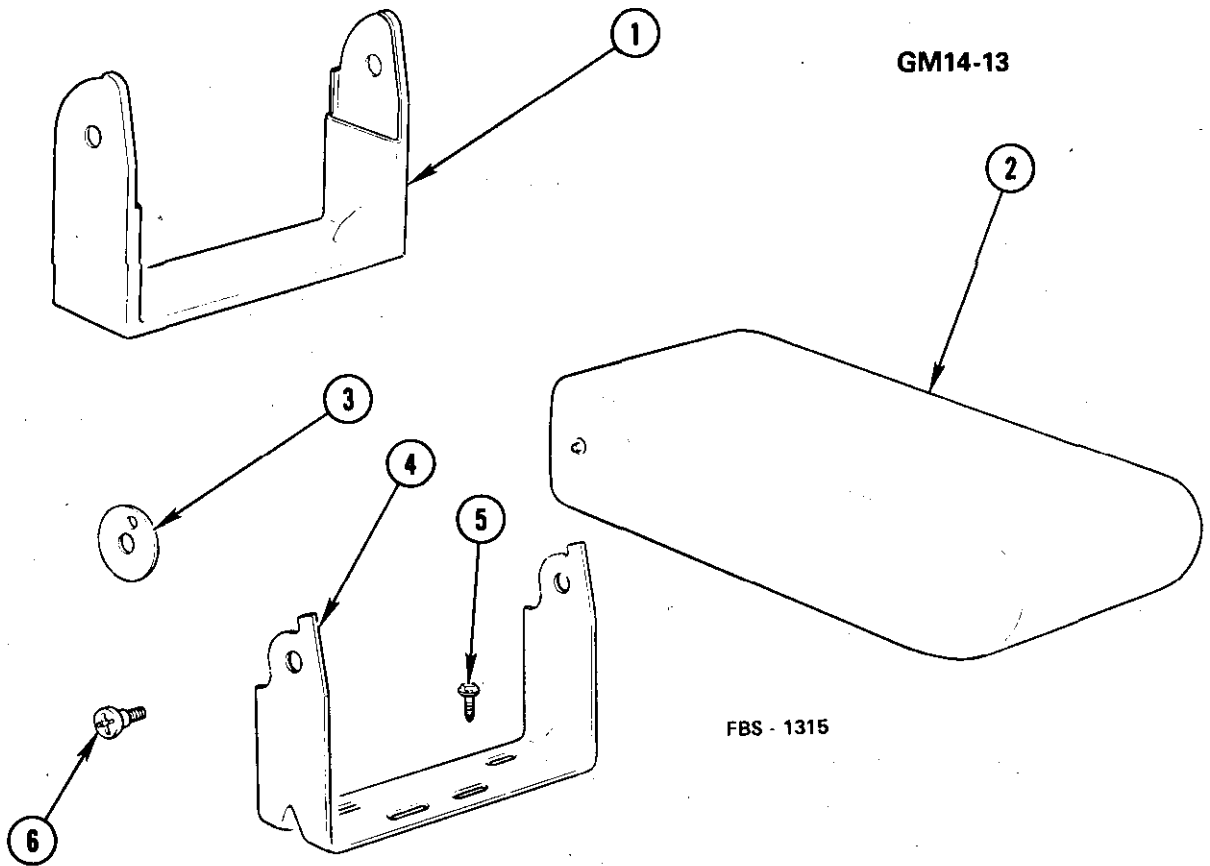
NOTE 1: Paint as Required

NOTE 2: See Illustration in Group 12.000 - 1980 "X" LUGGAGE COMPARTMENT COVER



**1976-78 "A" FRONT SEAT CENTER ARM REST**

1.	COVER, Arm Rest Trim Finish .....	14.900
2.	COVER, Arm Rest Trim Finish .....	14.900
3.	SCREW, Finish Cover to Seat Brace (1/4"-20 x 3/4") .....	N.S.
4.	COVER, Arm Rest (Yardage Material)(Also Groups 15.504 & 15.500) .....	14.900
5.	PANEL, Arm Rest-Plastic-(Paint to Match) .....	11.374
6.	COVER, Center Arm Rest (Trim to Curtain) .....	14.900
7.	WASHER, (5/16" ID x 3/4" OD) .....	8.929
8.	SUPPORT, Center Arm Rest-W/Links .....	11.374
9.	ARM REST, Less Cover .....	14.900



GM14-13

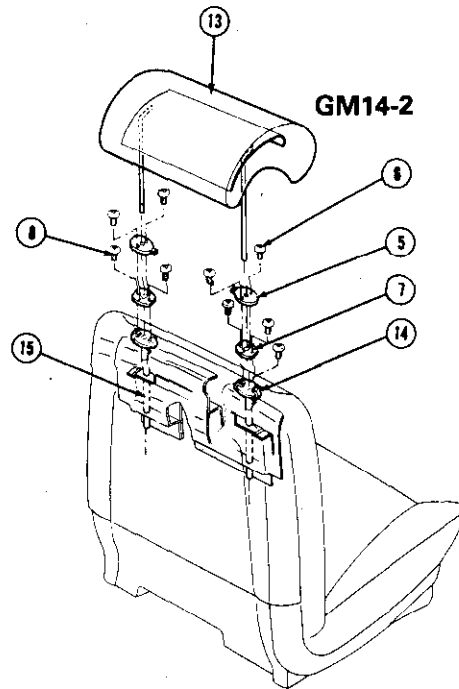
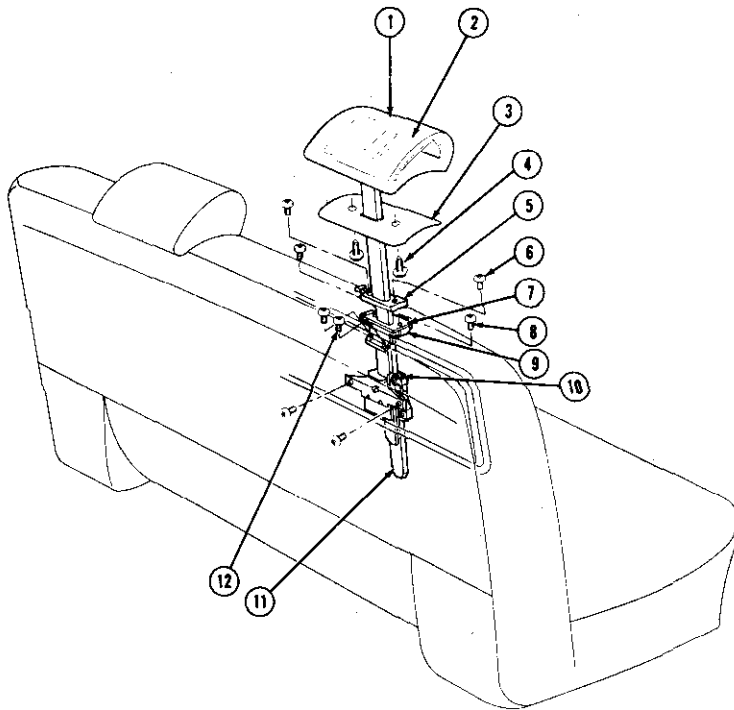
FBS - 1315

GM14-13

**1977-81 "B" ARM REST/FRONT SEAT**

1.	COVER, St A/Rst Supt .....	14.900
2.	ARM REST, St Bk Ctr Less Cvr .....	14.900
	COVER, St A/Rst .....	14.900
3.	WASHER, Supt to A/Rst .....	11.374
4.	SUPPORT, Ctr A/Rst .....	11.374
5.	SCREW, Tap .....	N.S.
6.	BOLT, Supt to A/Rst .....	11.374

FBS-1315

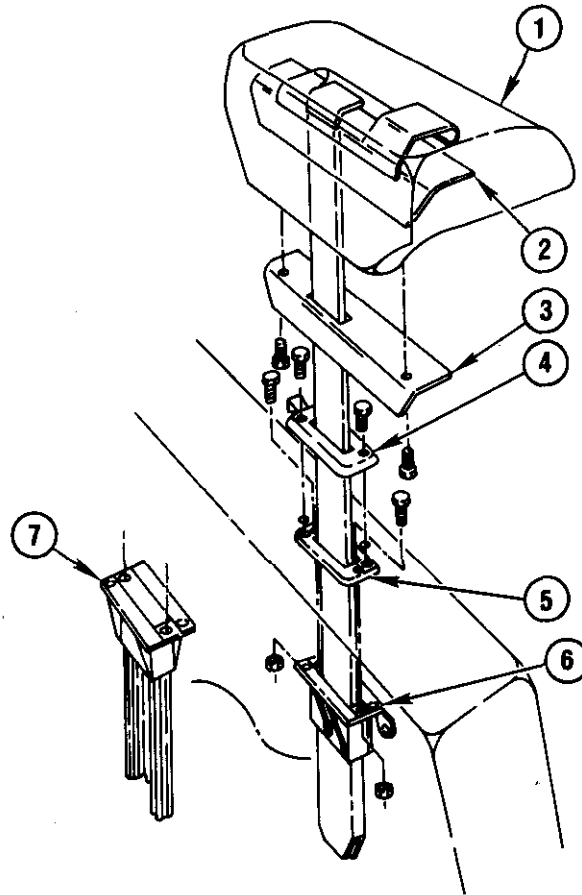


GM14-2

**1976-81 FRONT SEAT HEAD RESTRAINTS**

1.	COVER ASM, Head Restraint	14.924
2.	PAD, W/Panel Asm, Head Restraint	14.924
3.	PANEL, Head Restraint Finish	11.376
4.	SCREW, Finish Panel to Panel	N.S.
5.	ESCUTCHEON ASM, Head Restraint Supt Finish	11.376
6.	SCREW, Supt Escutcheon to Ret	N.S.
7.	RETAINER, Restraint Panel Supt Escutcheon	11.376
8.	SCREW, Retainer to Tube	N.S.
9.	NUT, Escutcheon Retainer to Tube	N.S.
10.	ROLLER ASM, Restraint Panel Support Guide	11.376
11.	TUBE, Head Restraint Support Guide (A, X, E)	11.376
	GUIDE, Head Restraint (B, C)	11.376
12.	SCREW, Guide Tube to Frame	N.S.
13.	RESTRAINT ASM, Seat Back Head	14.924
14.	NUT, Guide Tube to Reinf	N.S.
15.	TUBE, Restraint Support Guide	11.376

GM14-16



FBS-1319

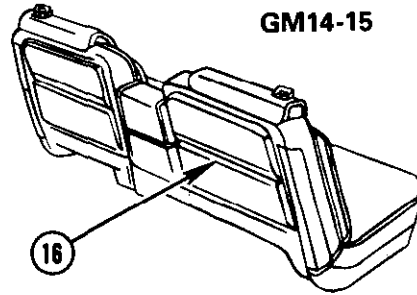
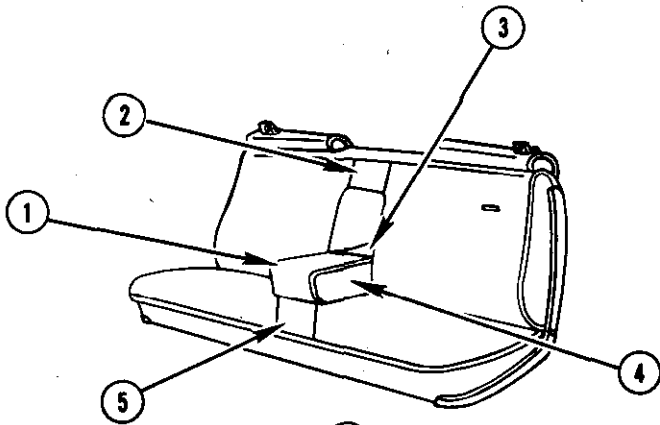
GM14-16

### 1977-81 HEAD RESTRAINT/FRONT SEAT

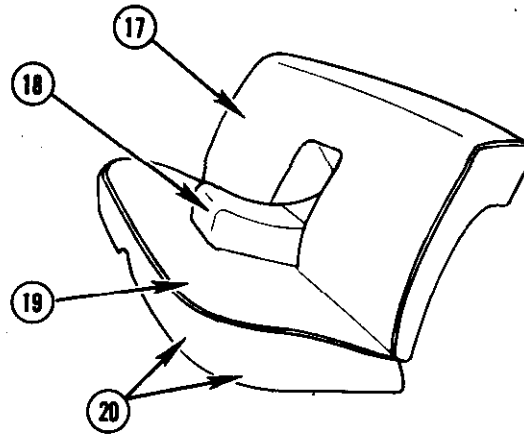
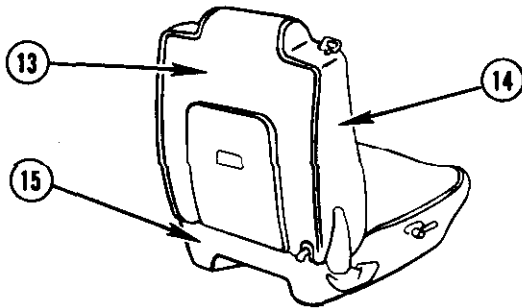
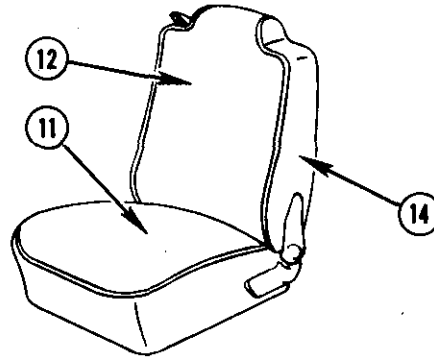
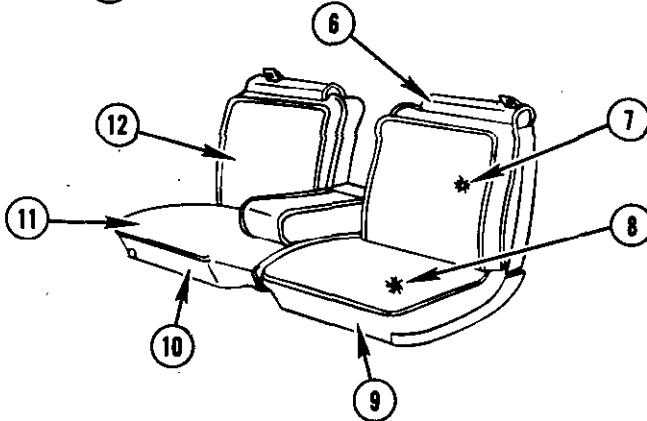
1.	COVER, St Bk H/Rst .....	14.924
2.	PAD, St Bk H/Rst Pnl .....	14.924
3.	PANEL, St Bk Fin .....	11.358
4.	ESCUTCHEON, St H/Rst Fin .....	11.376
5.	GUIDE, St H/Rst .....	11.376
6.	SUPPORT, Gde(* 1) .....	N.S.
7.	GUIDE, St H/Rst .....	11.376

FBS-1319

NOTE 1: Part of Passenger and Driver Seat Back Panel, Group 11.373.



GM14-15

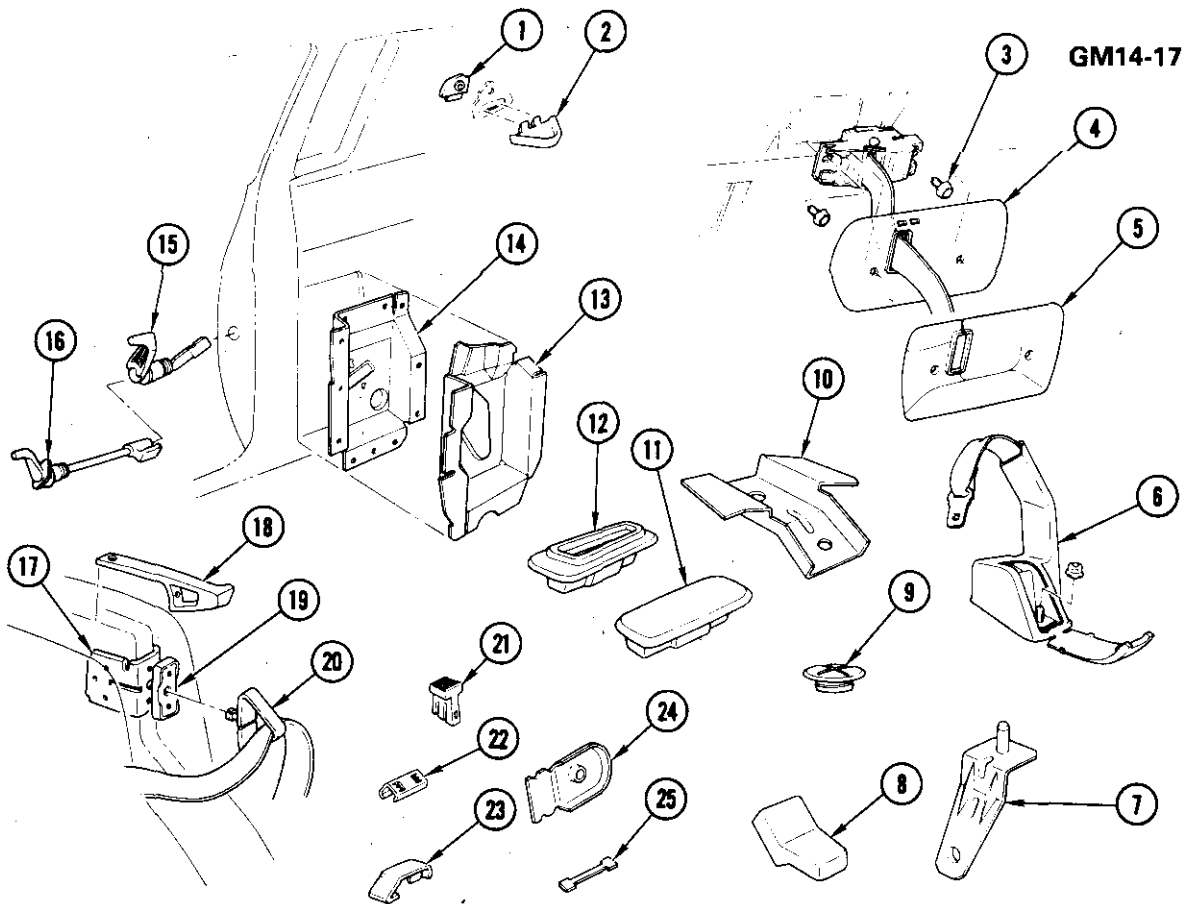


GM14-15

### 1976-81 SEAT NOMENCLATURE CHART/COATED FABRIC

1. Front Seat Center Arm Rest	12. Back Rest Front Seat
2. Seat Back Insert (Sometimes Vinyl)	13. Back of Front Seat Back
3. Curtain, Arm Rest	14. Front Seat Back Side Panel
4. Front Seat Center Arm Rest Side Panel	15. Carpet (Use Yardage Material) Front Seat Back
5. Seat Cushion Insert (Sometimes Vinyl)	16. Front Seat Back of Back Pocket Asm
6. Front Seat Back Head Rest	17. Rear Seat Back Rest
7. Seat Back Button	18. Rear Seat Center Arm Rest
8. Seat Cushion Button	19. Rear Seat Cushion
9. Seaming Lace (NS) Front Seat	20. Cushion Face Rear Seat
10. Cushion Face Front Seat	
11. Cushion Front Seat	

NOTE: When ordering material from Groups 15.500, 15.504, 15.506 direct all inquiries to your local parts distribution center giving year-body style-trim and exact location of material required. This will ensure receipt of proper material.



GM14-17

**1978-81 SEAT BELT HARDWARE (TYPICAL)\***

1.	SPACER, Frt St Blt Rf RI Gde (Paint)	14.875
2.	COVER, St Blt Gde	14.875
3.	SCREW, Frt St Blt to Rf	14.875
4.	COVER, Ret S/Strp (Paint)	14.875
5.	COVER, Ret S/Strp (Paint)	14.875
6.	DOOR, Retrctr Cvr (Paint)(Part of Seat Belt Asm)	N.S.
7.	PLATE, Blt Retrctr Anc	14.875
8.	COVER, St Anc Plt Retrctr (Paint)	14.875
9.	PLUG, St Blt Sleeve (Paint)	14.875
10.	REINFORCEMENT, Qtr Pnl Frt St Blt Retrctr	14.875
11.	PLUG, Qtr Shldr Strp (Paint)	14.875
12.	COVER, Ret Shldr Strp Qtr Inr	14.875
13.	HOUSING ASM, Shldr Blt Retrctr-On Qtrr Inr	14.875
14.	HOUSING ASM, Shldr Blt Retrctr	14.875
15.	RELEASE, (Part of Seat Belt & Retractor Asm) (May be Serviced Separately - Refer to 14.875)	14.875
16.	RELEASE, (Part of Seat Belt & Retractor Asm) (May be Serviced Separately - Refer to 14.875)	14.875
17.	SUPPORT, St Bk Shldr Strp Gde	14.875
18.	GUIDE, Shldr Strp H/Rst	14.875
19.	ESCUTCHEON, St Bk Shldr Strp	14.875
20.	GUIDE, St Bk Shldr Strp	14.875
21.	KNOB, Shldr Blt Lvr	14.875
22.	ESCUTCHEON, Shldr Blt Opg Qtr Blt	14.875
23.	ESCUTCHEON, Shldr Blt Opg Ctr Plr	14.875
24.	PLATE, Rr Blt Anc at RI	14.875
25.	RETAINER, Shldr Strp Retrctr Cvr Stabilizer	14.875

\* Miscellaneous views for visual recognition and nomenclature  
FBS-1320