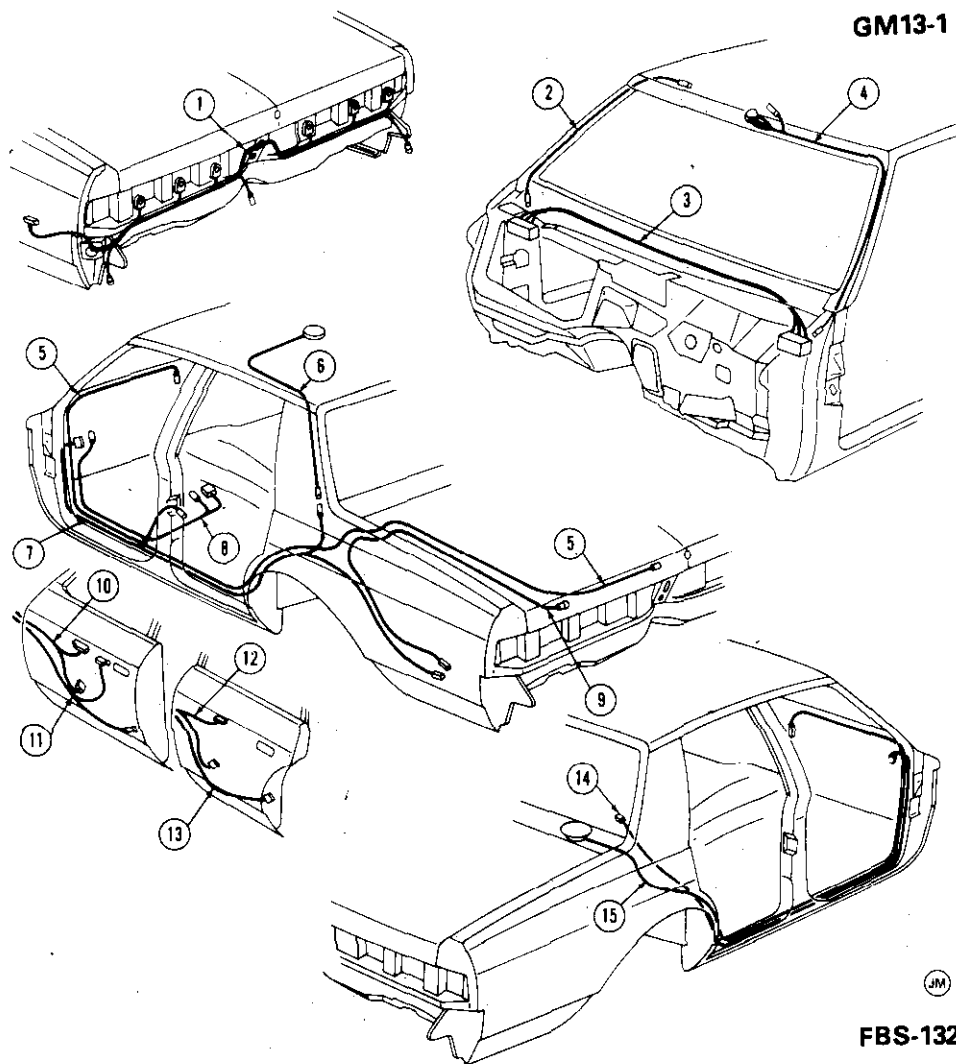




ILLUSTRATION INDEX

	TITLE	PAGE
1976-81	WIRING/BODY HARNESS-COUPES & SEDANS (TYPICAL)	13-1
1976-81	BODY WIRING HARNESS TYPICAL (WAGON)	13-2



GM13-1

FBS-1321

GM13-1

1976-81 WIRING/BODY HARNESS-COUPES & SEDANS (TYPICAL)

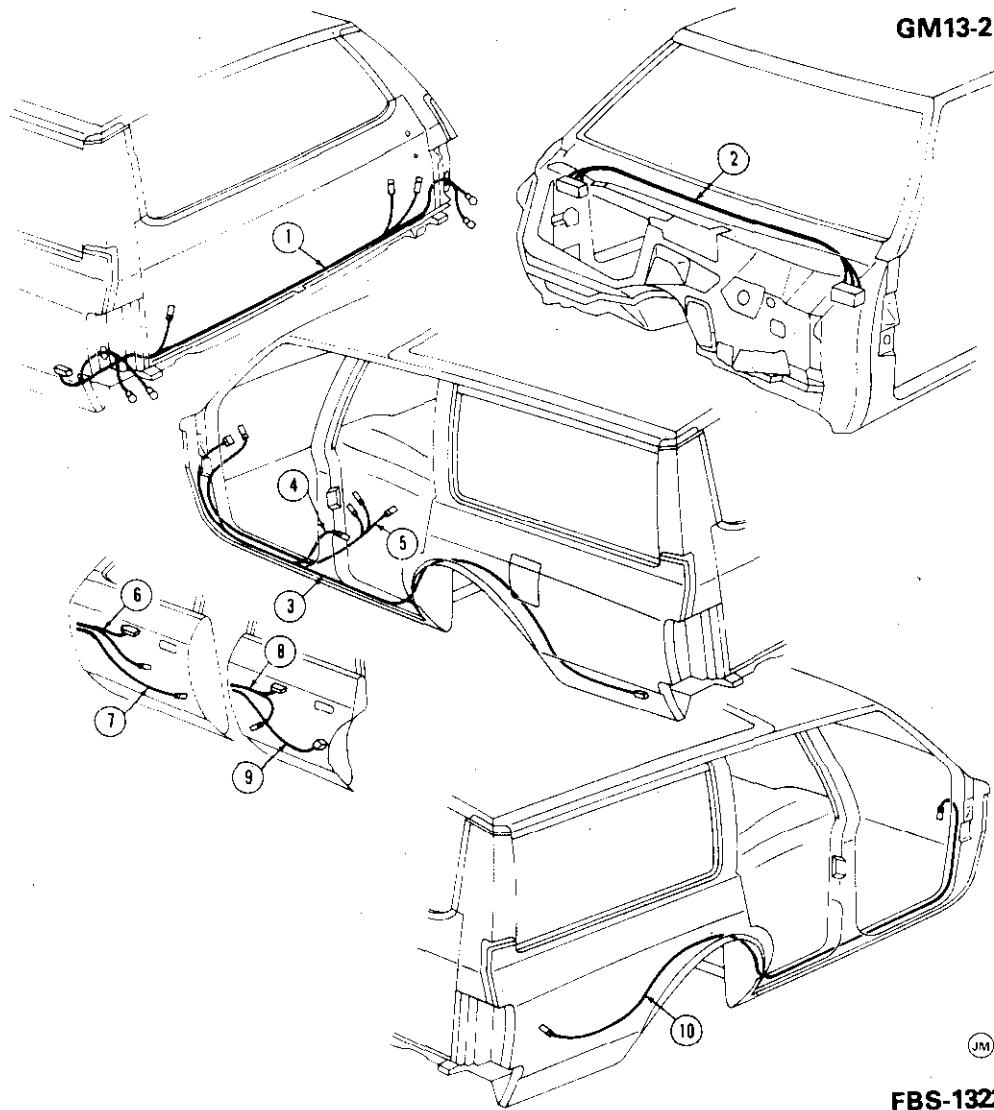
1.	HARNESS, Rr Bdy	2.694
2.	HARNESS, illum Van Mir	10.195
3.	HARNESS, Cross Car(* 1)	13.090
4.	HARNESS, Pwr Sun Rf	13.090
5.	HARNESS, Pwr Rr C/Lid Release	12.243
6.	HARNESS, Dome Lp	13.090
7.	HARNESS, Frt Bdy	13.090
8.	HARNESS, Pwr Sts	13.090
9.	HARNESS, Rr C/Lid Light	13.090
10.	HARNESS, F/D Pwr Wdo	13.090
11.	HARNESS, F/D Elec Lk(* 2)	10.485
12.	HARNESS, R/D Pwr Wdo	13.090
13.	HARNESS, R/D Elec Lk(* 2)	10.485
14.	HARNESS, Rr Wdo Dfgr	9.778
15.	HARNESS, Rr Spkr	9.656

The Above Illustrations Are Representative Of The Body Wiring Harnesses. For Specific Model Application, Usage And Part Number Identification Refer To The Individual Parts Catalog Groups.

FBS-1321

NOTE 1: Depending Upon The Various Combinations Of Electrical Options, This Harness Is Often Identified By A Description Other Than "Cross Car Harness". Refer To Group 13.090.

NOTE 2: Refer To Group 13.090 For Additional Usage.



GM13-2

FBS-1322

GM13-2

1976-81 BODY WIRING HARNESS TYPICAL (WAGON)

1.	HARNESS, Rr Bdy	2.694
2.	HARNESS, Cross Car(*1)	13.090
3.	HARNESS, Frt Bdy	13.090
4.	HARNESS, Jamb Sw	13.090
5.	HARNESS, Pwr Sts	13.090
6.	HARNESS, Frt Dr Pwr Wdo	13.090
7.	HARNESS, Frt Dr Elec Lks(*2)	10.485
8.	HARNESS, Rr Dr Pwr Wdo	13.090
9.	HARNESS, Rr Dr Elec Lks(*2)	10.485
10.	HARNESS, Rr Spkr	9.656

The above illustrations are representative of the body wiring harnesses. For specific model application, usage and part number identification refer to the individual parts catalog groups.

FBS-1322

NOTE 1: NOTE 1: Depending upon the various combinations of electrical options, this harness is often identified by a description other than "cross car harness". Refer to Group 13.090.

NOTE 2: Refer to group 13.090 for additional usage.