

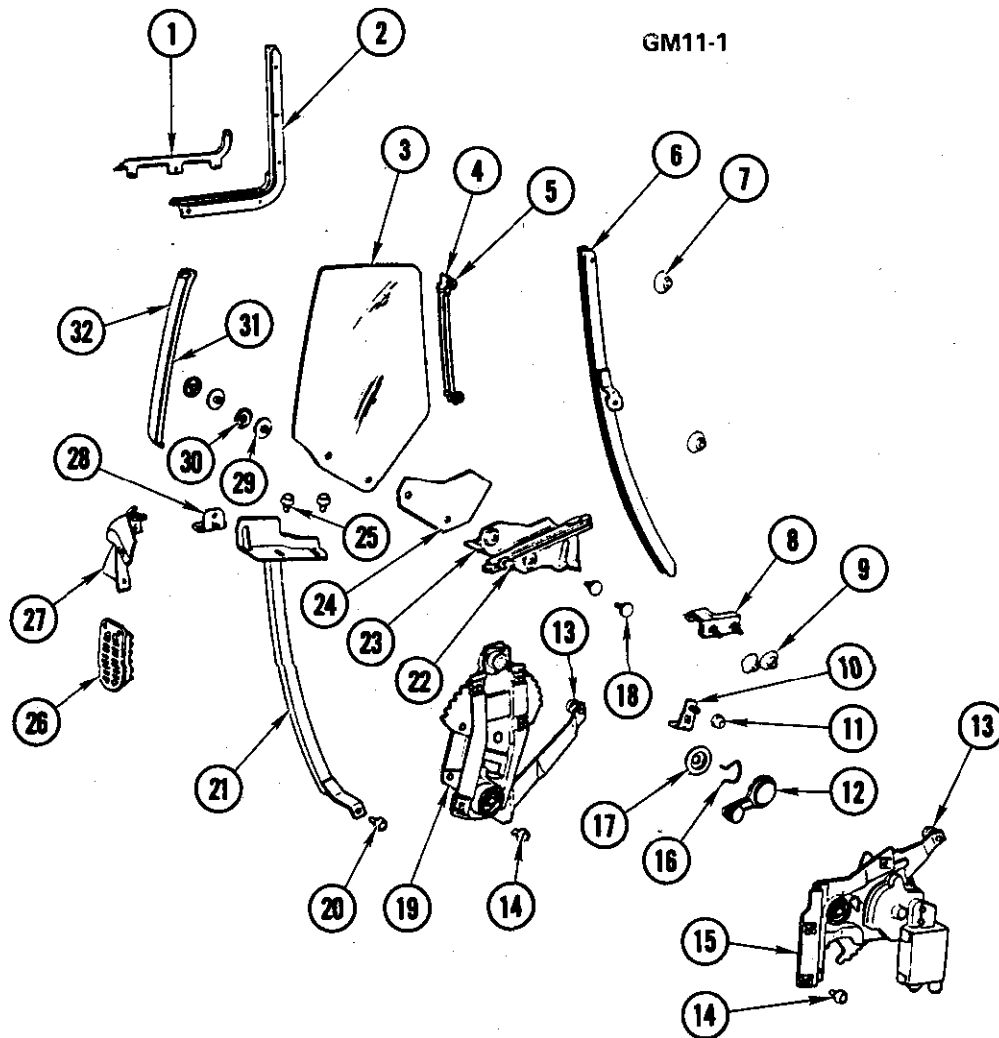


PONTIAC BODY GROUP 11.000



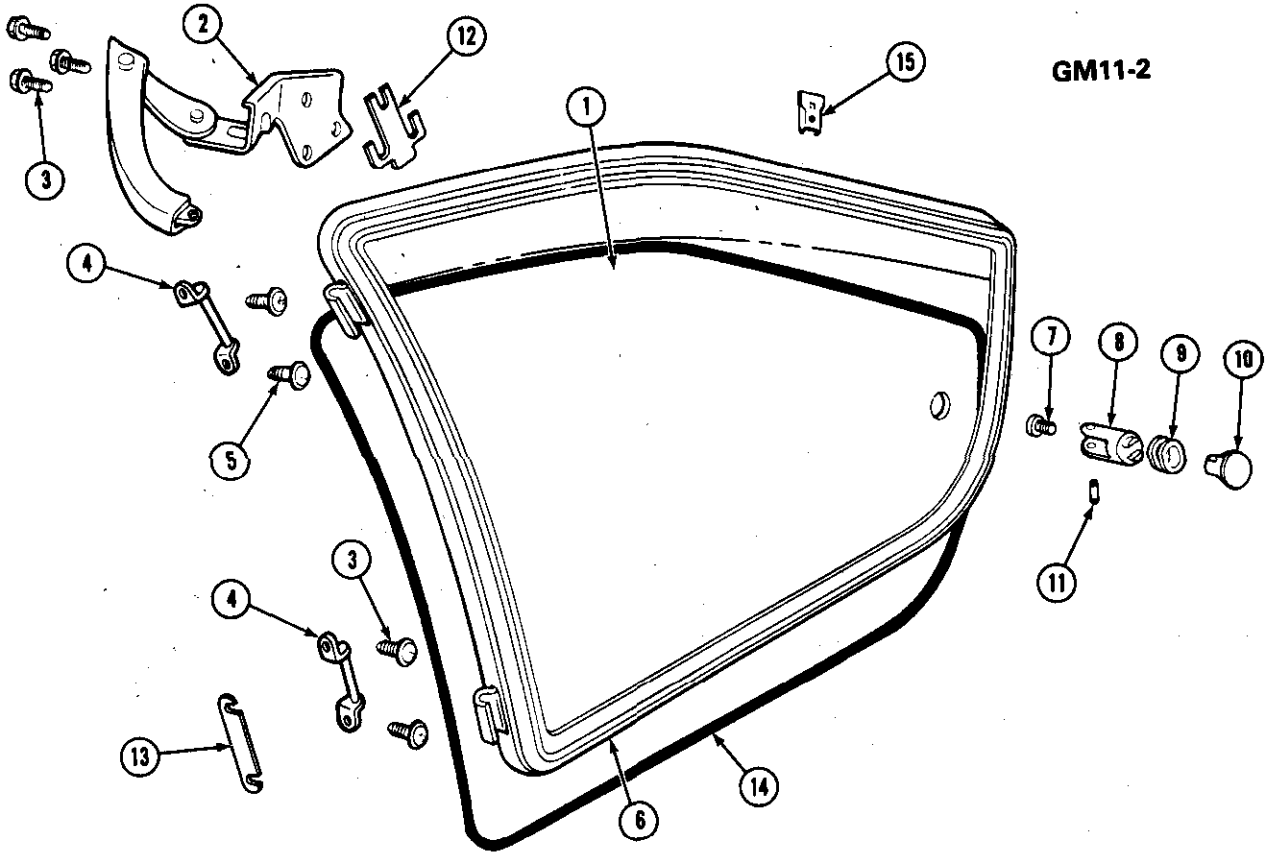
ILLUSTRATION INDEX

	TITLE	PAGE
1976	"B57" QUARTER WINDOW HARDWARE	11-1
1976-79	"H,X" QUARTER WINDOW HARDWARE (SWINGOUT VENT)	11-2
1978-80	"A" QUARTER VENT HARDWARE	11-3
1980-81	"X" SWING OUT QUARTER WINDOW HARDWARE	11-4
1976	FRONT SEAT BACK LOCKS NOTCH BACK, STRATO BUCKET & BENCH SEAT	11-5
1976-77	PASSENGER RECLINING SEAT HARDWARE (AQ9)	11-6
1979-81	SEAT RECLINER HARDWARE (TYPICAL)	11-7
1981	"F" BUCKET SEAT (AR9)	11-8
1981	"T" FRONT SEAT HARDWARE (AR9)	11-10
1976-81	SEAT ADJUSTER/MANUAL	11-12
1976	FOUR WAY SEAT ADJUSTER	11-14
1976-77	SIX-WAY SEAT ADJUSTER	11-16
1976-78	SIX WAY SEAT ADJUSTER TRANSMISSION & PARTS	11-17
1979-81	SIX-WAY SEAT ADJUSTER TRANSMISSION (TYPICAL)	11-18
1979-81	SEAT ADJUSTER-6 WAY	11-19
1980-81	"X" SIX WAY SEAT ADJUSTER (A52)	11-20
1980-81	"X" SIX WAY SEAT ADJUSTER (A51 & A65)	11-21
1980-81	SEAT ADJUSTER COVERS (TYPICAL)	11-22
1976-77	"A35" LOAD FLOOR HARDWARE	11-24
1978-81	"A35" FOLDING 2ND SEAT & LOAD FLOOR HARDWARE	11-26
1976	"B35" LOAD FLOOR HARDWARE	11-28
1976	"B45" LOAD FLOOR HARDWARE	11-30
1977-81	"B35" LOAD FLOOR HARDWARE/FOLDING 2ND	11-32
1977-81	"B35" LOAD FLOOR HARDWARE/FOLDING 3RD	11-33
1976-79	"H,X" FOLDING 2ND SEAT & LOAD FLOOR HARDWARE	11-34
1976-80	"H" FOLDING REAR SEAT HARDWARE	11-35
1981	"T" REAR SEAT BACK	11-36
1976-81	"A, B, F, G, H, X" DOME LAMP	11-37
1976-81	"A,B,F,G" DOME & READING LAMP	11-37
1980	"X" DOME & READING LAMP	11-37
1978-81	"BN37-69,G" QUARTER WINDOW LAMP	11-38



1976 "B57" QUARTER WINDOW HARDWARE

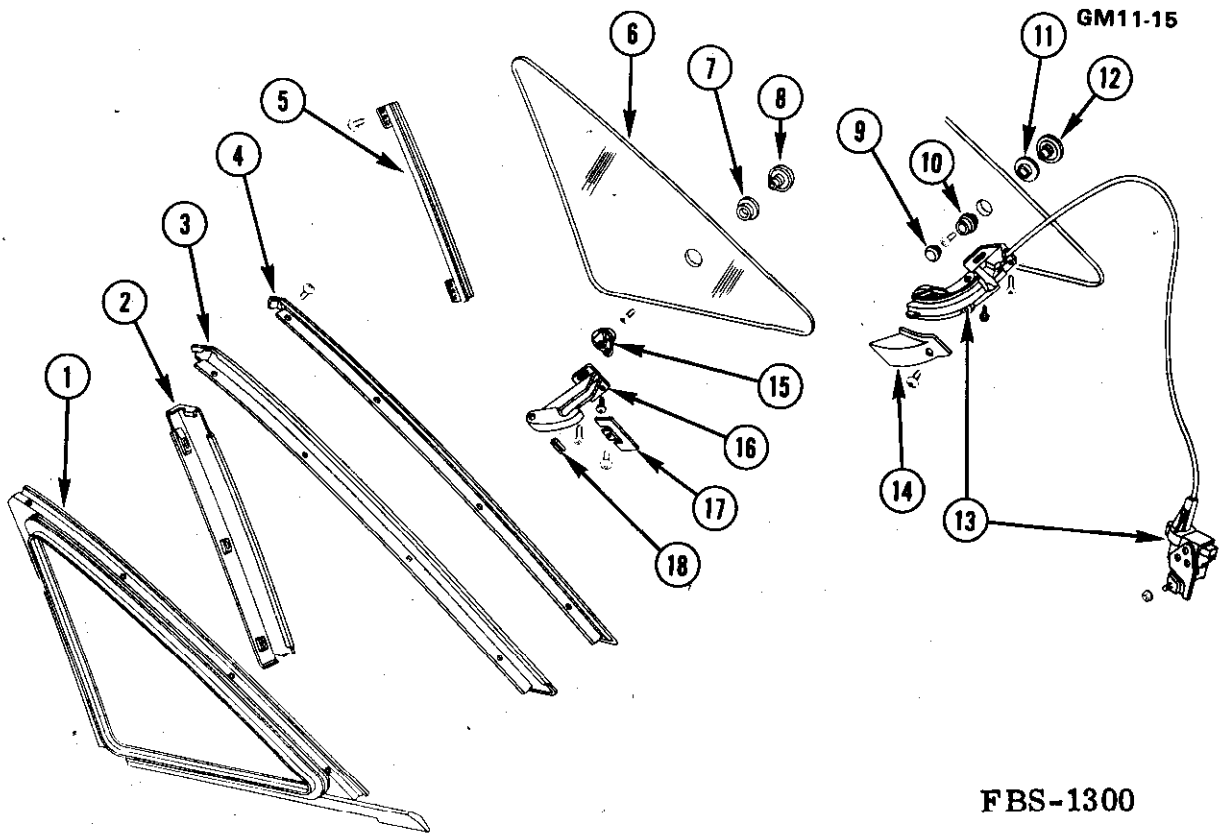
1. MOLDING, Q/Wdo Reveal-at Belt	11.031	17. PLATE, Reg Handle Brg	10.515
2. SEALING STRIP, Q/Wdo Otr-at Belt	11.015	18. BOLT, Lwr Sash Plate to Glass	11.007
3. GLASS, Q/Wdo-Frt	11.011	19. REGULATOR ASM, Q/Wdo-Manual	11.041
4. CHANNEL ASM, Q/Wdo Rr Sash	11.007	20. SCREW & WASHER, Guide to Qtr Inr Lwr	N.S.
5. ROLLER, Rr Channel Guide	11.007	21. GUIDE ASM, Q/Wdo-Frt	11.040
6. GUIDE ASM, Q/Wdo-Rr	11.040	22. ROLLER, Guide Plate	11.007
7. NUT & WASHER, Guide to Qtr Inr Up	N.S.	23. PLATE ASM, Wdo Lwr Sash Guide	11.007
8. STOP ASM, Wdo Rr-Up	11.012	24. FILLER, Lwr Sash Plate-Frt	11.007
9. NUT & WASHER, Stop to Inr Pnl Reinf	10.685	25. SCREW & WASHER, Guide to Qtr Inr-at Belt	N.S.
10. STOP ASM, Wdo Lwr-Manual	11.012	26. VALVE ASM, Lk Plr Pressure Relief	12.942
11. NUT & WASHER, Lwr Manual Stop to Inr Pnl	N.S.	27. SEALING STRIP, Lk Plr Up Corner	12.942
12. HANDLE ASM, Q/Wdo Reg	10.797	28. STOP ASM, Wdo Frt-Up	11.012
13. ROLLER, Wdo Reg	11.007	29. BUSHING, Lwr Sash Plate to Glass	11.007
14. SCREW & WASHER, Reg to Inr Pnl	11.041	30. NUT, Lwr Sash Plate to Glass	11.007
15. MOTOR ASM, Wdo Reg	11.041	31. CHANNEL ASM, Q/Wdo Frt Sash	11.007
16. SPRING, Reg Handle	10.513	32. WEATHERSTRIP, Frt Sash Channel	11.015



GM11-2

1976-79 "H,X" QUARTER WINDOW HARDWARE (SWINGOUT VENT)

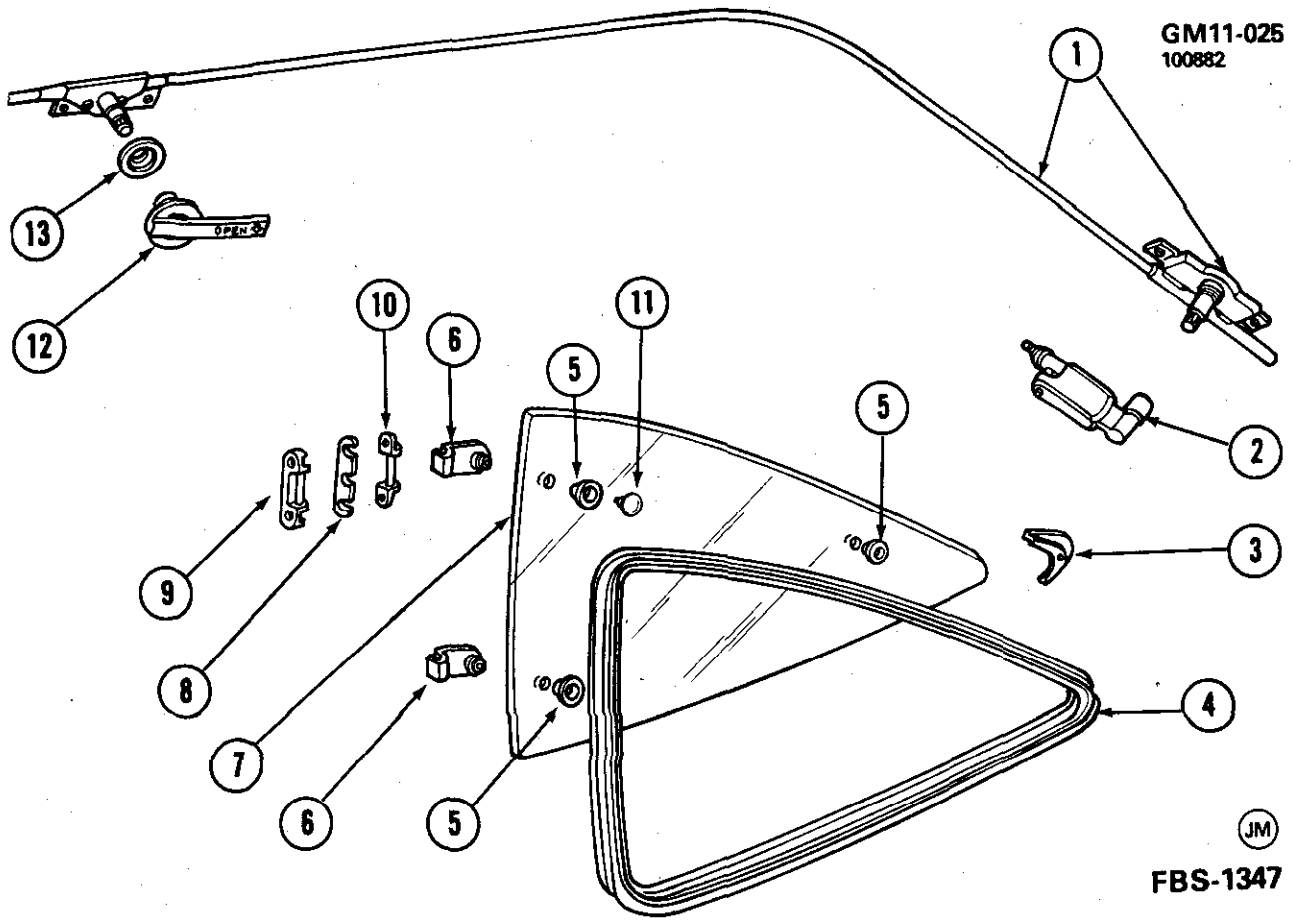
1.	GLASS W/Hinge Q/Wdo	11.011
2.	LATCH ASM, Q/Wdo Glass	11.010
3.	SCREW, Tap (#8-18 x 3/4")	8.977
4.	HINGE, Quarter Window Glass-On Body	11.010
5.	SCREW, Hinge to Body	N.S.
6.	CHANNEL, Q/Wdo Glass	11.021
7.	SCREW, Tap (#8-32 x 3/8")	8.977
8.	SUPPORT, Window Latch (H & X Body)	11.010
8.	BEARING, Lock Latch (T Body)	11.010
9.	BUSHING, Window Latch	11.010
10.	NUT, Window Latch	11.010
11.	PIN, Latch Support	8.939
12.	SPACER, Window Latch	11.010
13.	SPACER, Window Hinge-On Body	11.010
14.	STRIP, Glass Channel	11.021
15.	RETAINER, Window Channel-Front & Side	11.007



GM11-15

1978-80 "A" QUARTER VENT HARDWARE

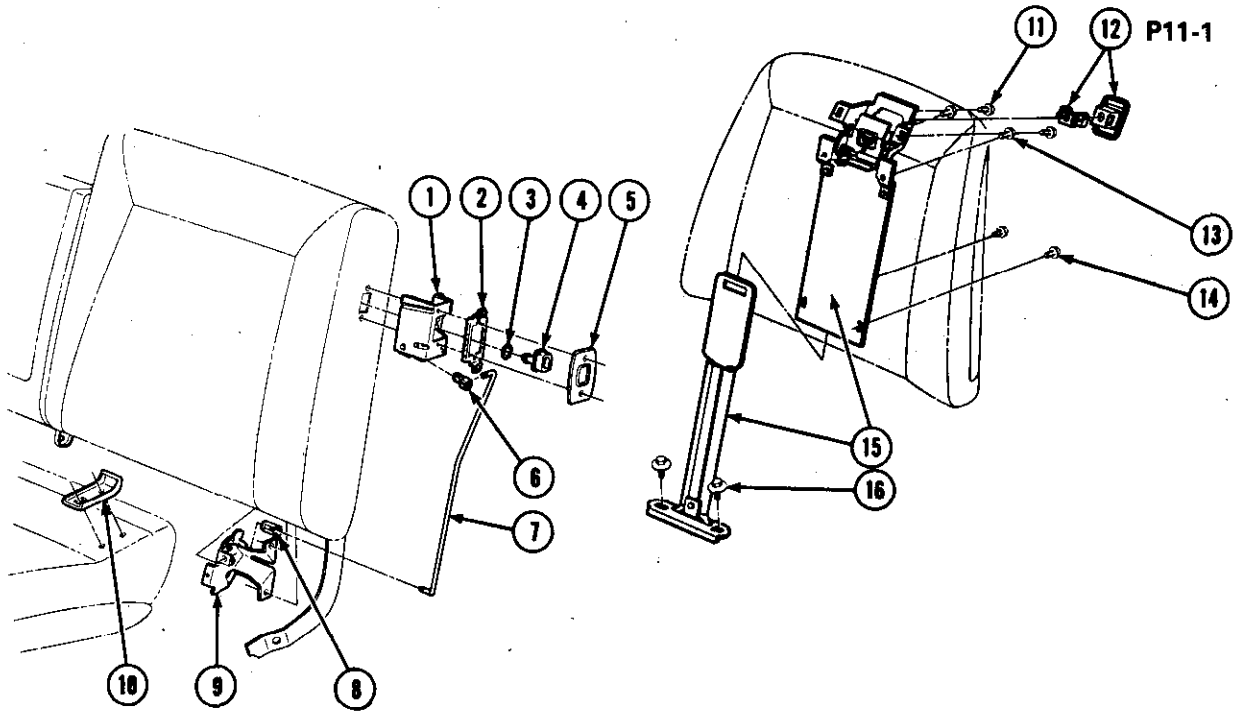
1.	CHANNEL ASM, Glass to Q/Window	11.021
2.	MOLDING, Q/Wdo-Frt	11.031
3.	MOLDING, Q/Wdo-Rr	11.031
4.	MOLDING, Q/Wdo Rr Scp	11.031
5.	HINGE, Q/Wdo (Part of # 14)	11.010
6.	GLASS, Quarter	11.011
7.	BUSHING, Wdo Lock	11.010
8.	NUT, Wdo Lock	11.010
9.	SPACER, Wdo Actuator (Opt)	11.041
10.	BASE, Wdo Actuator (Opt)	11.041
11.	BUSHING, Wdo Actuator (Opt)	11.041
12.	NUT, Wdo Actuator (Opt)	11.041
13.	ACTUATOR ASM, Q/Wdo (Opt)	11.041
14.	COVER, Actuator Q/Wdo (Paint)	14.845
15.	BEARING, Wdo Lock	11.010
16.	LATCH ASM, Wdo Fold-Out	11.010
17.	COVER, Wdo Latch Fin	11.010
18.	PIN, Wdo Lock	11.010



GM11-025

1980-81 "X" SWING OUT QUARTER WINDOW HARDWARE

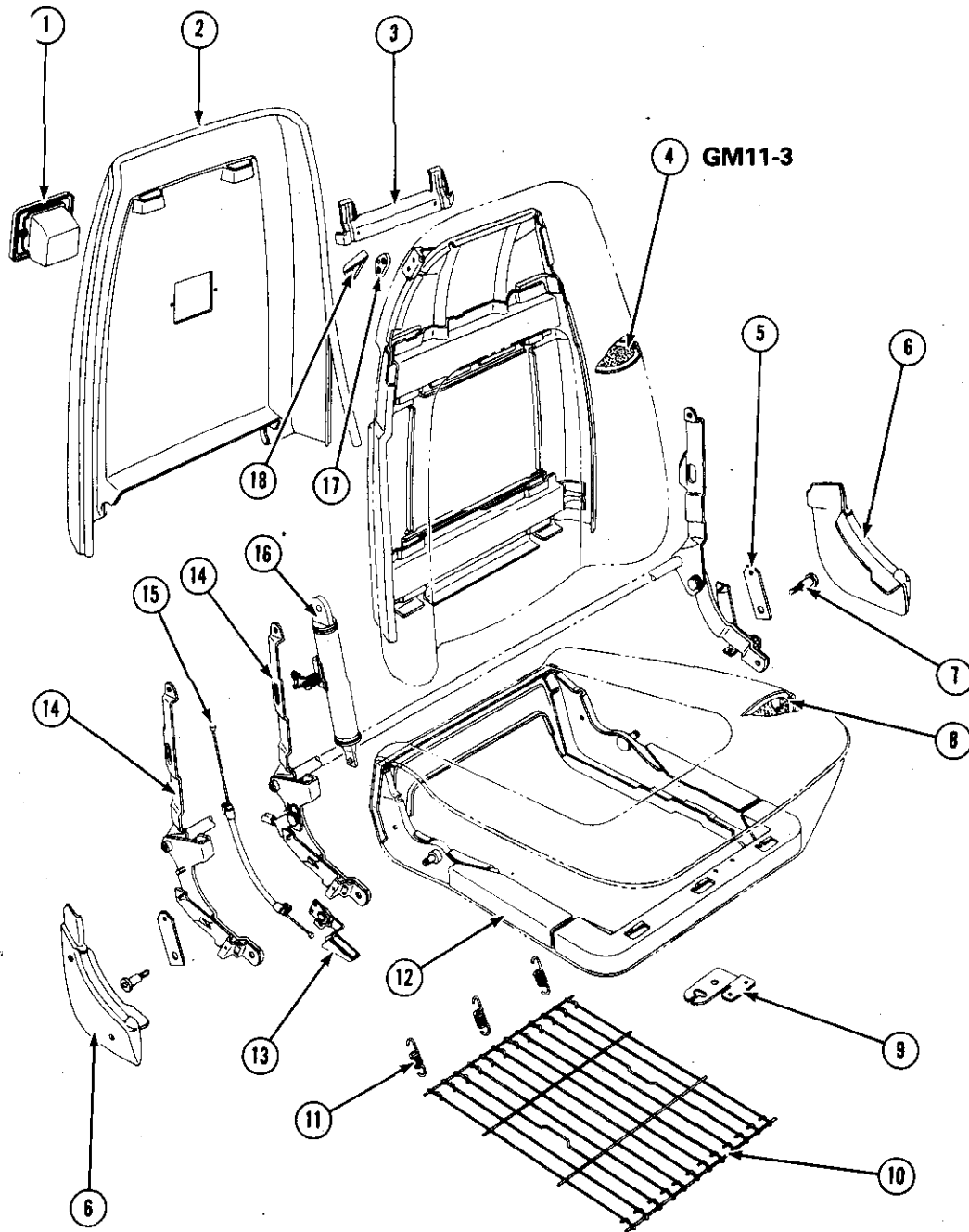
1.	ACTUATOR ASM, Remote Pivot	11.041
2.	LATCH ASM, Remote Pivot	11.010
3.	FILLER, Rear Corner-Pivot (X68)	12.941
4.	CHANNEL ASM, Glass Pivot	11.021
5.	BUSHING, Qtr Wdo Hinge	11.010
6.	HINGE, Qtr Wdo Pivot (On Glass)	11.010
7.	GLASS, Qtr Wdo	11.011
8.	SPACER, Qtr Wdo Hinge (On Body)	12.941
9.	HINGE, Qtr Wdo (On Body)	11.010
10.	HINGE, Qtr Wdo (On Body)	11.010
11.	NUT, Qtr Wdo	11.010
12.	HANDLE ASM, Remote Actuator Control Pivot	11.044
13.	PLATE, Remote Actuator Control Handle Pivot Bearing	11.044



P11-1

1976 FRONT SEAT BACK LOCKS NOTCH BACK, STRATO BUCKET & BENCH SEAT

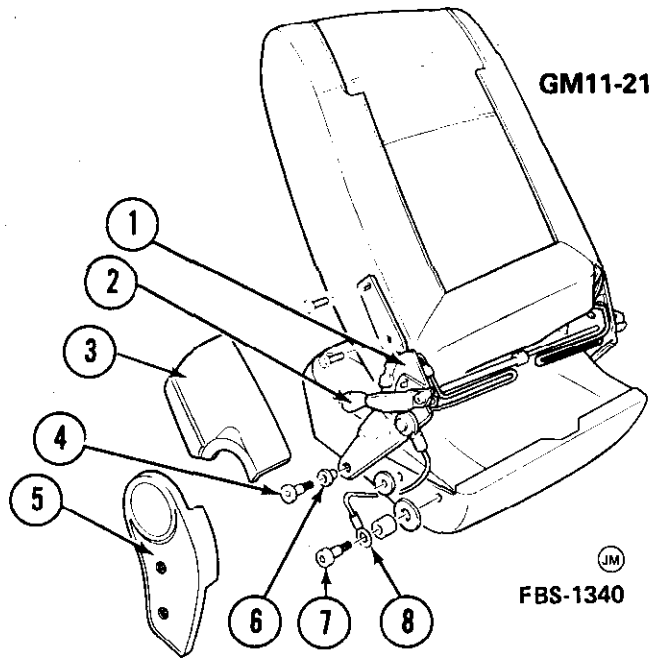
1.	CONTROL ASM, Seat Back Lock	11.390
2.	RETAINER, Seat Back Panel Trim at Lock Knob	11.390
3.	FERRULE, Seat Back Lock Knob	11.390
4.	KNOB ASM, Seat Back Lock Rod Push Button	11.390
5.	ESCUTCHEON, Seat Back Lock Knob	11.390
6.	CLIP, Seat Back Lock Spring	11.390
7.	ROD, Seat Back Locking (Incl clip for 1971-72)	11.390
8.	CLIP, Seat Back Lock Spring	11.390
9.	LOCK ASM, Seat Back	11.390
10.	STRIKER, Seat Back Lock	11.390
11.	SCREW, Seat Back Center Lock to Upper Bar	N.S.
12.	BUTTON ASM, Seat Back Lock Push	11.390
13.	SCREW, Seat Back Center Lock to Upper Bar Reinf	N.S.
14.	SCREW, Seat Back Center Lock to Lower Bar	N.S.
15.	LOCK ASM, Seat Back Center	11.390
16.	SCREW, Seat Back Center Lock to Bottom Frame	N.S.



GM11-3

1976-77 PASSENGER RECLINING SEAT HARDWARE (AQ9)

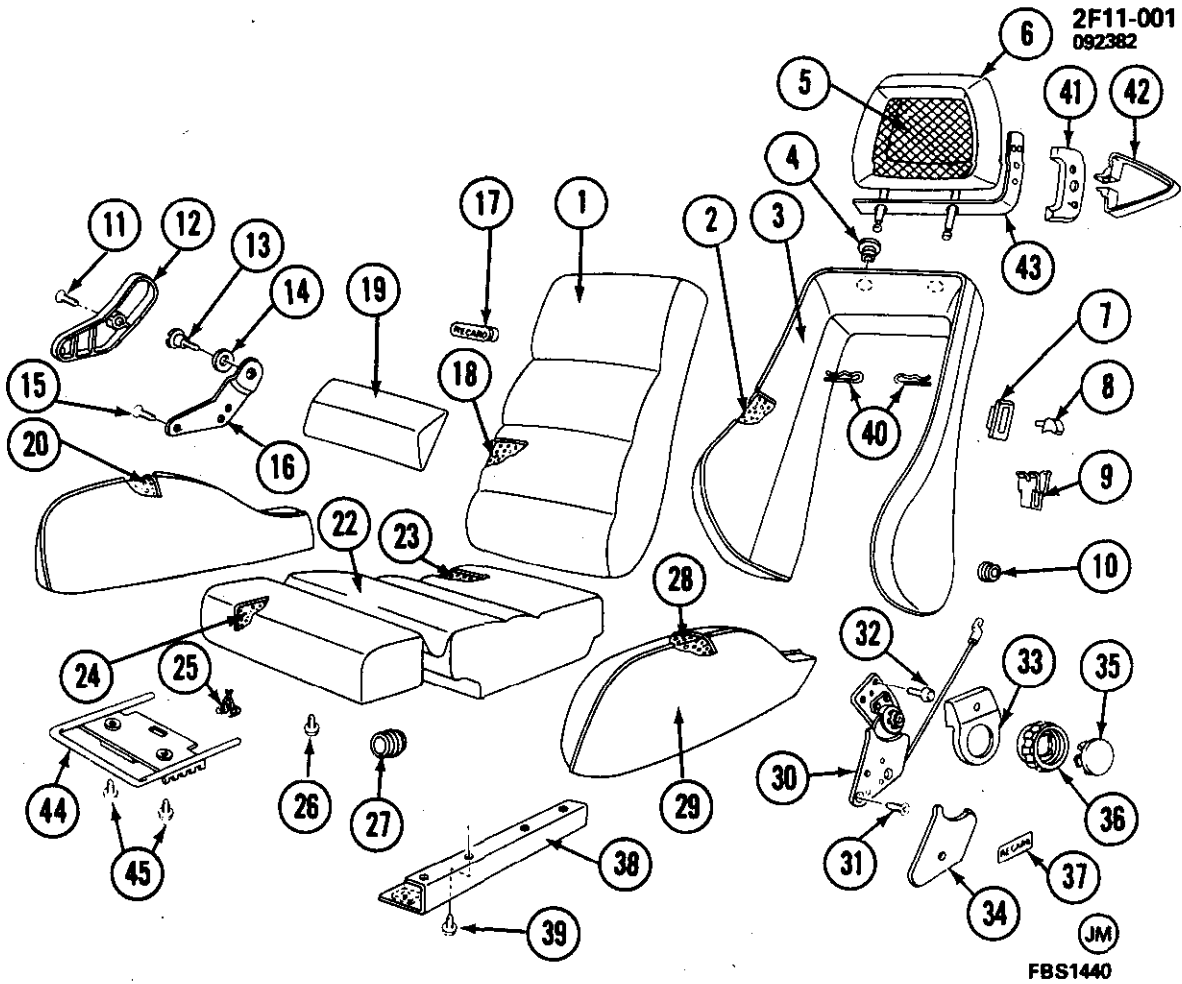
1. ASH TRAY ASM, Pass Seat Back	12.045	11. SPRING, Seat Bottom Pad	11.561
2. PANEL, Seat Back Upper Fin	11.358	12. SPRING, W/Support Asm, Seat Bottom	
3. SUPPORT, Seat Back Fin Pnl	11.368	Frame (Incl #10-11)	11.419
4. PAD, W/Wire Asm, Seat Back	14.802	13. HANDLE ASM, Seat Back Recliner	11.377
5. SUPPORT, Seat Back-Stationary Back	11.368	14. FRAME ASM, Seat Back	11.373
6. PANEL, Seat Back Lwr	11.358	15. CABLE ASM, Seat Back Recliner	11.377
7. STRIKER, Seat Back Lwr-Inr & Otr	11.390	16. ACTUATOR, Seat Back Recliner	11.377
8. PAD, W/Wire Asm, Seat Bottom	14.890	17. ESCUTCHEON, Seat Back Shoulder	
9. RETAINER, Module to Seat Btm Frm	13.090	Strap	14.875
10. SUPPORT ASM, Seat Bottom	11.561	18. GUIDE, Seat Back Shoulder Strap	14.875



GM11-21

1979-81 SEAT RECLINER HARDWARE (TYPICAL)

1.	CONTROL ASM, Seat Back Reclining	11.377
2.	KNOB, Seat Back (11.558)	11.377
3.	COVER, Seat Back Hinge Arm	11.377
4.	BOLT, Seat Back Hinge	11.390
5.	COVER, Reclining Control Hinge	11.377
6.	BUSHING, Seat Back Hinge Bolt	11.375
7.	BOLT, Seat Back Striker	11.390
8.	CABLE ASM, Seat Back Hinge Inner	11.390



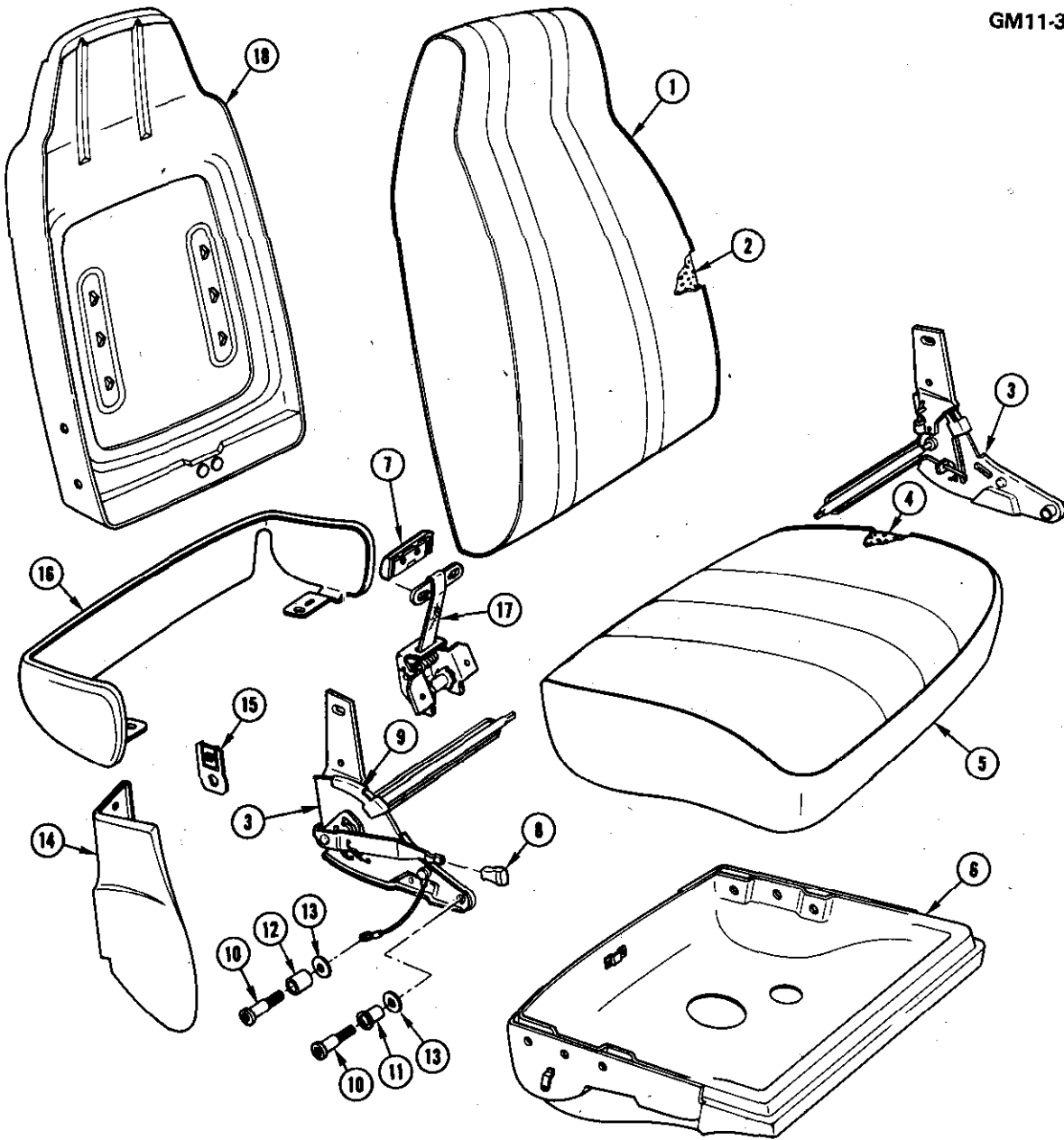
2F11-001

1981 "F" BUCKET SEAT (AR9)

1981 "F" BUCKET SEAT (AR9)

1.	COVER, Backrest Center	N.S.
2.	PAD, P&D/St Bk Otr	14.802
3.	COVER, Backrest Outer	N.S.
4.	CAP, Headrest Rod	11.378
5.	NET	14.924
6.	NET, Headrest Asm	N.S.
7.	BEZEL, Seat Back Release	11.390
8.	KNOB, Seat Back Release	11.390
9.	CLIP, Seat Back Release	11.390
10.	TUBE, Cable Release	N.S.
11.	SCREW, (M5x12)	N.S.
12.	COVER, Seat Back Pivot Inr Driver	11.375
13.	SCREW, (M8x10)	11.382
14.	WASHER	11.377
15.	SCREW, (M8x20)	11.375
16.	PIVOT, Seat Back Inner Driver	11.377
17.	EMBLEM, Recaro	14.800
18.	FOAM, Part Backrest Center	N.S.
19.	LUMBAR CUSHION, (Instruction Sheet)	14.800
20.	FOAM, Part Seat Cushion Side-RH	N.S.
21.	COVER, Seat Cushion Side Pieces-RH	N.S.
22.	COVER, Seat Cushion Center	N.S.
23.	FOAM, Part Seat Cushion Ctr	N.S.
24.	FOAM, Part Seat Depth Adjustment	N.S.
25.	TRIM, Retainer	14.818
26.	SCREW, (M8x12)	14.880
27.	BUSHING	14.880
28.	FOAM, Part Seat Cushion Side-LH	N.S.
29.	COVER, Seat Cushion Side Pieces-LH	N.S.
30.	ADJUSTER, Seat Back Driver	11.377
31.	SCREW, (M8x30)	11.375
32.	SCREW, (M10x20)	N.S.
33.	COVER, Upper Bracket Driver	11.377
34.	COVER, Lower Bracket Driver	11.377
35.	INSERT, Handle	11.377
36.	HANDLE	11.377
37.	PLACARD, Self Adhesive	11.375
38.	ADAPTOR ASM, D/St & P/St Inr	N.S.
39.	SCREW, Tap (M8x20)	N.S.
40.	TUBE, Spring H/Rst	14.924
41.	ESCUTCHEON, Shldr Strap	14.875
42.	GUIDE, Shldr Strp & D/Seat Bk	14.875
43.	SUPPORT, Shld Strap Guide	N.S.
44.	ADJUSTER ASM, Seat Depth	N.S.
45.	BOLT, Seat Depth Adj	8.900

GM11-32



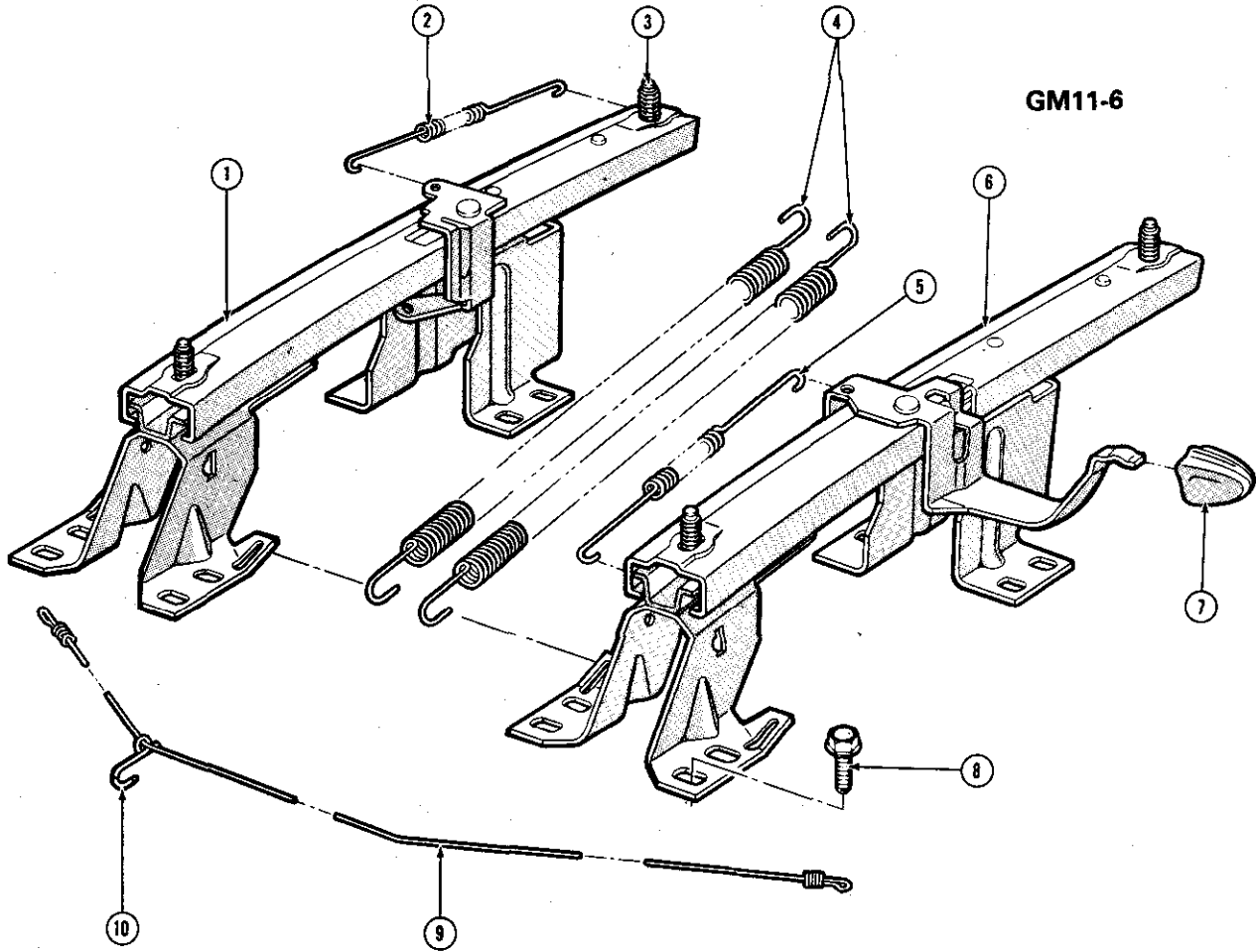
GM11-32

1981 "T" FRONT SEAT HARDWARE (AR9)

GM11-32

1981 "T" FRONT SEAT HARDWARE (AR9)

1.	COVER, P & D Seat Back	14.800
2.	PAD, P & D Seat Back W/Wire	14.802
3.	CONTROL, P & D Seat Back Recl	11.377
4.	PAD, P & D Seat Btm W/Wire	14.890
5.	COVER, P & D Seat Cushion	14.880
6.	PANEL, P & D Seat Btm	11.419
7.	COVER, P & D Seat	11.390
8.	KNOB, Seat Adj	11.588
9.	LACE, P & D Seat Back Otr Recl Cont	14.800
10.	BOLT, Hng Stkr P & D Seat Back Lk Inr Otr	11.390
11.	BUSHING, P & D Seat Hge Inr Otr Piv	11.375
12.	SLEEVE, P/Seat Back Inr Lk Stkr	11.390
13.	WASHER, Stkr Bolt P & D Seat Back Lk Inr Otr	11.390
14.	COVER, P/Seat Back Recl Hge Inr (Paint to Match)	11.377
15.	SUPPORT, P & D Seat Back	11.390
16.	PANEL, P & D Seat Btm Frm	14.810
17.	LOCK, P & D Seat Back Ctr Inertia	11.390
18.	PANEL, P & D Seat Back	11.373



GM11-6

GM11-6

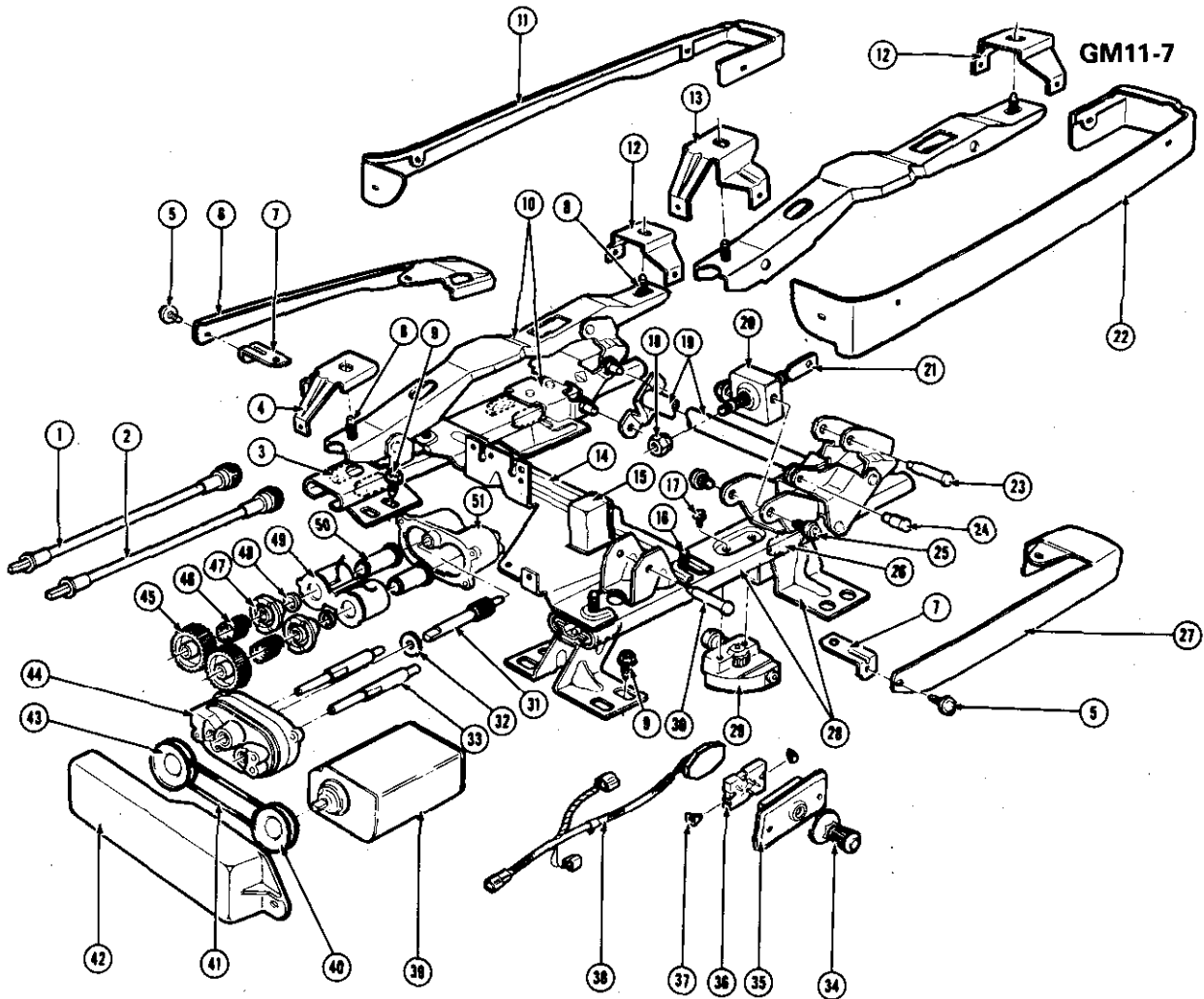
1978-81 SEAT ADJUSTER/MANUAL

1.	ADJUSTER ASM, Frt St-RH (Incl 2)	11.581
2.	SPRING, Adj Lk Bar (Part of 1)	11.581
3.	BOLT, Adj to Si Bar	11.581
4.	SPRING, Adj Assist	11.581
5.	SPRING, Adj Lk Bar (Part of 6)	11.581
6.	ADJUSTER ASM, Frt St-LH (Incl 5)	11.581
7.	KNOB, St Adj	11.588
8.	BOLT, Adj to Flr Pan	11.581
9.	WIRE, Adj Aux Lkg	11.589
10.	RETAINER, Adj Aux Lkg Wire	11.589

FBS-666

NOTES

BLANK-44

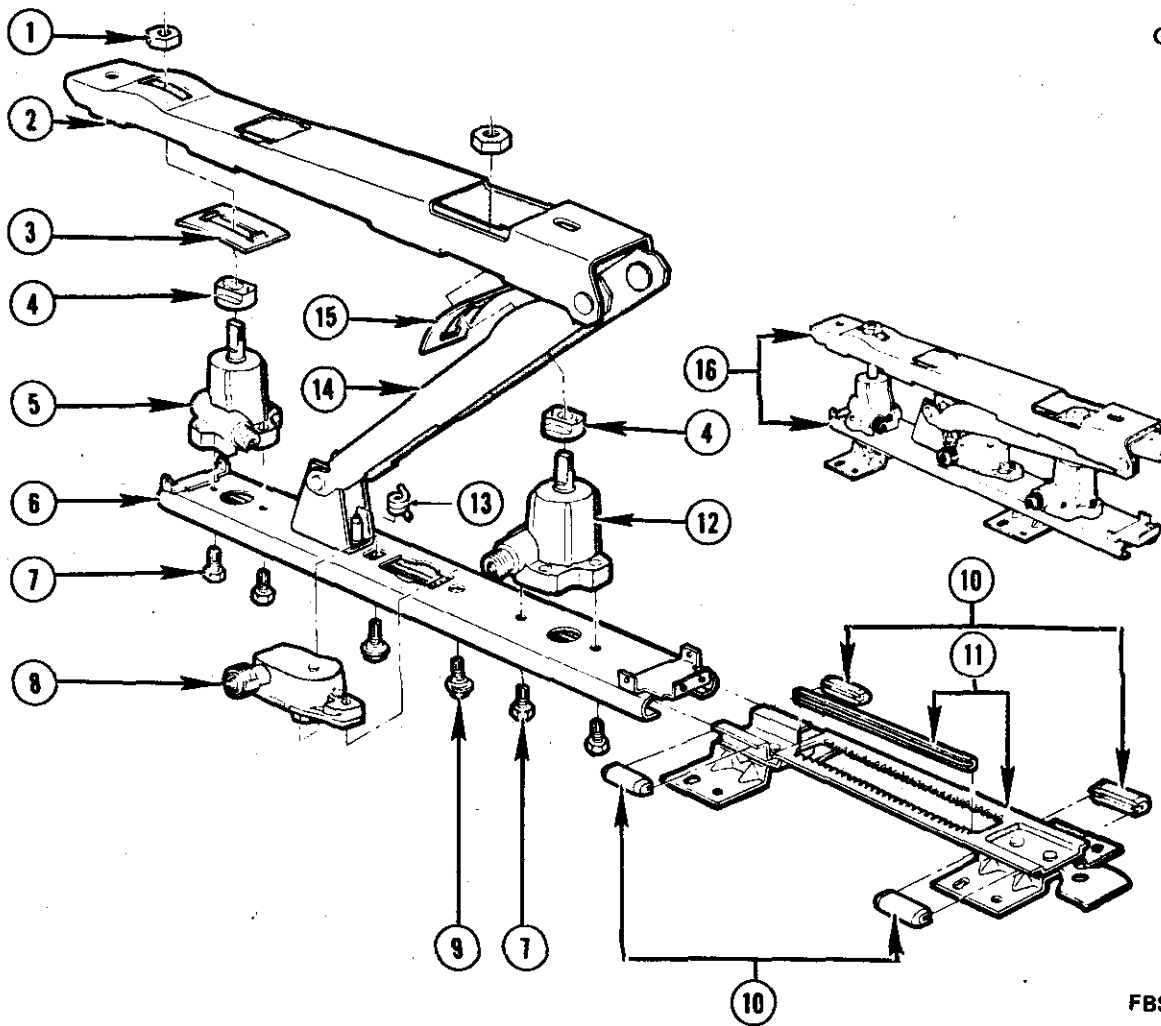


GM11-7

1976 FOUR WAY SEAT ADJUSTER

1976 FOUR WAY SEAT ADJUSTER

1.	CABLE ASM, Trans to LH Adj-Vert	11.561
2.	CABLE ASM, Trans to LH Adj-Horiz	11.561
3.	SHOE, Inner Adj Lwr Channel	11.561
4.	SUPPORT, Adj Track-Upr Inner Cover-Frt	11.573
5.	FASTENER, Adj Track Cover	11.573
6.	COVER, Adj Track-Inner Lwr	11.573
7.	SUPPORT, Adj Track-Lwr Cover-Frt	11.573
8.	BOLT, Adj to Side Bar	11.561
9.	BOLT, Adj to Floor Pan Bar	11.561
10.	ADJUSTER ASM, Seat-Inner (Inc #3)	11.561
11.	COVER, Adj Track-Inner Upr	11.573
12.	SUPPORT, Adj Track-Upr Cover-Rr	11.573
13.	SUPPORT, Adj Track-Upr Outer Cover-Frt	11.573
14.	SUPPORT, Adj Trans	11.556
15.	RELAY ASM, Adj Motor	13.096
16.	SCREW, Adj Trans Supt	11.556
17.	SCREW, Outer Seat Adj Actuator	11.561
18.	STOP, Outer Adj Jackscrew-Frt	11.561
19.	TUBE ASM, Seat Adj Torque	11.561
20.	GEARNUT ASM, Outer Adj Jackscrew	11.561
21.	JACKSCREW, Outer Seat Adj	11.561
22.	COVER, Seat Adj Track Outer Upper	11.573
23.	PIN, Outer Adj Top Plate-Rr	11.561
24.	RIVET, Outer Adj Jackscrew	11.561
25.	SCREW, Outer Adj Gearnut	11.561
26.	SHOE, Seat Outer Adj Lwr Channel	11.561
27.	COVER, Seat Adj Track-Outer Lwr	11.573
28.	ADJUSTER ASM, Seat Outer (Inc #17-18-20-21-23-24-25-26-29-30)	11.561
29.	ACTUATOR ASM, Outer Seat Adj	11.561
30.	PIN, Outer Adj Top Plate-Frt	11.561
31.	GEAR, Trans Driving	11.556
32.	WASHER, Trans Drive Gear Thrust	11.556
33.	SHAFT, Trans Clutch	11.556
34.	BUTTON ASM, Outer Seat Switch	11.558
35.	ESCUTCHEON, Outer Seat Switch	11.558
36.	BASE ASM, Outer Seat Switch	11.558
37.	CLIP, Outer Seat Switch to Escut	11.558
38.	HARNESS ASM, Seat Adj Wiring	13.090
39.	MOTOR ASM, Seat Adj Horiz & Vert	11.556
40.	PULLEY, Trans at Motor	11.556
41.	RING, Trans Pulley-Rubber	11.556
42.	COVER, Trans Pulley	11.556
43.	PULLEY, Trans at Trans	11.556
44.	TRANSMISSION ASM, Seat Adj (Inc #31-32-33-45-46-47-48-49-50)	11.556
45.	GEAR, Trans-Horiz & Vert	11.556
46.	SPRING, Trans Clutch Shaft	11.556
47.	DOG, Trans Shaft	11.556
48.	WASHER, Trans Clutch Shaft	11.556
49.	SOLENOID ASM, Seat Adj Trans	11.556
50.	PLUNGER ASM, Trans Clutch Shaft	11.556
51.	HOUSING, Trans	N.S.



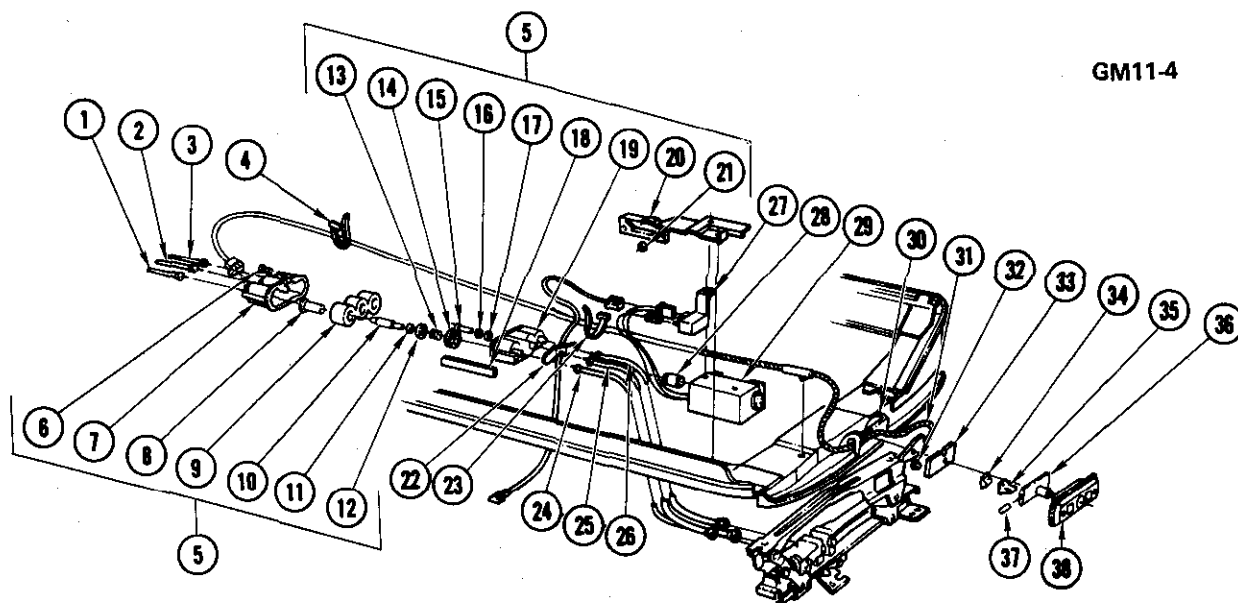
FBS-1309

GM11-5

1976-77 SIX-WAY SEAT ADJUSTER

1.	NUT, Gearnut	11.561
2.	PLATE, Seat Adj Top	N.S.
3.	SPRING, Gearnut	11.561
4.	WASHER, Gearnut	11.561
5.	GEARNUT ASM, Rear Vertical	11.561
6.	CHANNEL ASM, Lower	N.S.
7.	SCREW, Seat Adj Gearnut	11.561
8.	ACTUATOR, Seat Adj Horizontal	11.561
9.	SCREW, Horizontal Actuator	11.561
10.	SHOE, Lower Channel	11.561
11.	RACK ASM, Seat Adjuster	N.S.
12.	GEARNUT ASM, Front Vertical	11.561
13.	SPRING, Horizontal Actuator	11.561
14.	LINK, Seat Adjuster	N.S.
15.	SPRING, Front Gearnut	11.561
16.	ADJUSTER ASM, Front Seat Horizontal & Vertical	11.561

GM11-4

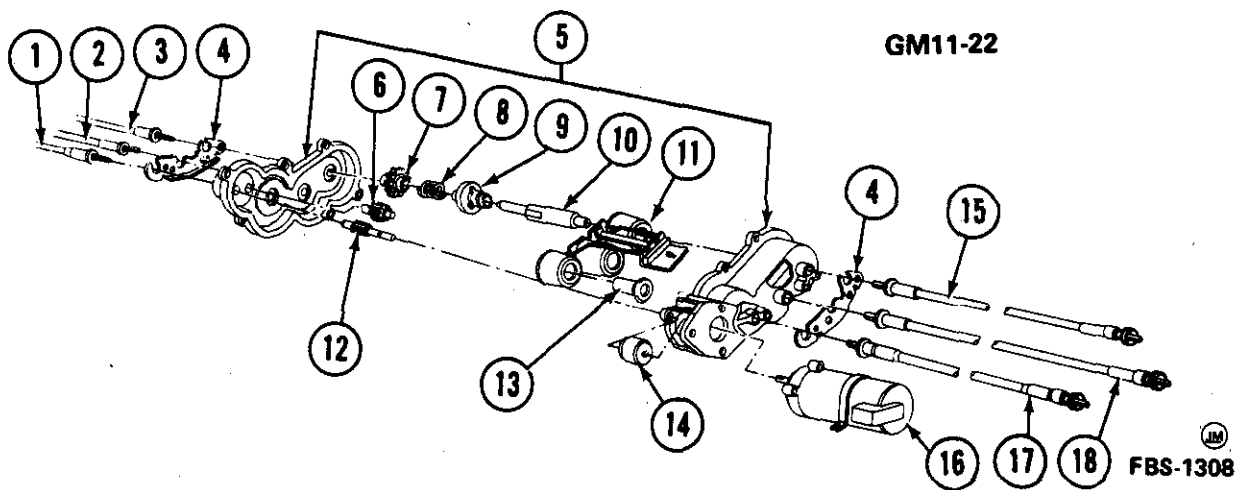


GM11-4

1976-78 SIX WAY SEAT ADJUSTER TRANSMISSION & PARTS

1.	CABLE, Trans to Adj-Frt Vert-RH	11.561
2.	CABLE, Trans to Adj-Rr Vert-RH	11.561
3.	CABLE, Trans to Adj-Rr Horiz-RH	11.561
4.	STRAP, Harness-Trans to Cable	13.090
5.	TRANSMISSION, Frt Seat Adj	11.556
6.	SCREW, Trans Housing	N.S.
7.	HOUSING, Trans	N.S.
8.	PLUNGER, Clutch Shaft	11.556
9.	SOLENOID, Seat Trans	11.556
10.	SHAFT, Clutch	11.556
11.	WASHER, Clutch Shaft (1976)	11.556
12.	DOG, Clutch Shaft	11.556
13.	SPRING, Clutch Shaft	11.556
14.	GEAR, Front Vertical	11.556
15.	GEAR, Trans Drive	11.556
16.	WASHER, Trans Drive Gear-Thrust (1976)	11.556
17.	WASHER, Trans Drive Gear-Curved (1976)	11.556
18.	SUPPORT, Trans	11.556
19.	HOUSING, Trans	N.S.
20.	SUPPORT, Motor	11.556
21.	WASHER, Trans Support (1976)	11.556
22.	PLATE, Cable Attaching	11.561
23.	STRAP, Wire Harness-Trans to Cable	13.090
24.	CABLE, Trans to Adj-Frt Vert-LH	11.561
25.	CABLE, Trans to Adj-Rr Vert-LH	11.561
26.	CABLE, Trans to Adj-Rr Horiz-LH	11.561
27.	RELAY, Seat Adjuster Motor	13.095
28.	COUPLING, Motor to Trans Drive	11.561
29.	MOTOR, Front Seat Adjuster	11.556
30.	SUPPORT, Side Panel Escut & Switch	11.558
31.	HARNES, Six Way Seat Adj	13.090
32.	CLIP, Switch Escutcheon	11.558
33.	BASE, Switch	11.558
34.	BUTTON, Vertical	11.558
35.	CAP, Vertical Button	11.558
36.	BUTTON, W/Bar Seat Adj Horiz Switch Horiz	11.558
37.	PIN, Vertical Button	11.558
38.	ESCUTCHEON, Seat Side Panel	11.558

GM11-22

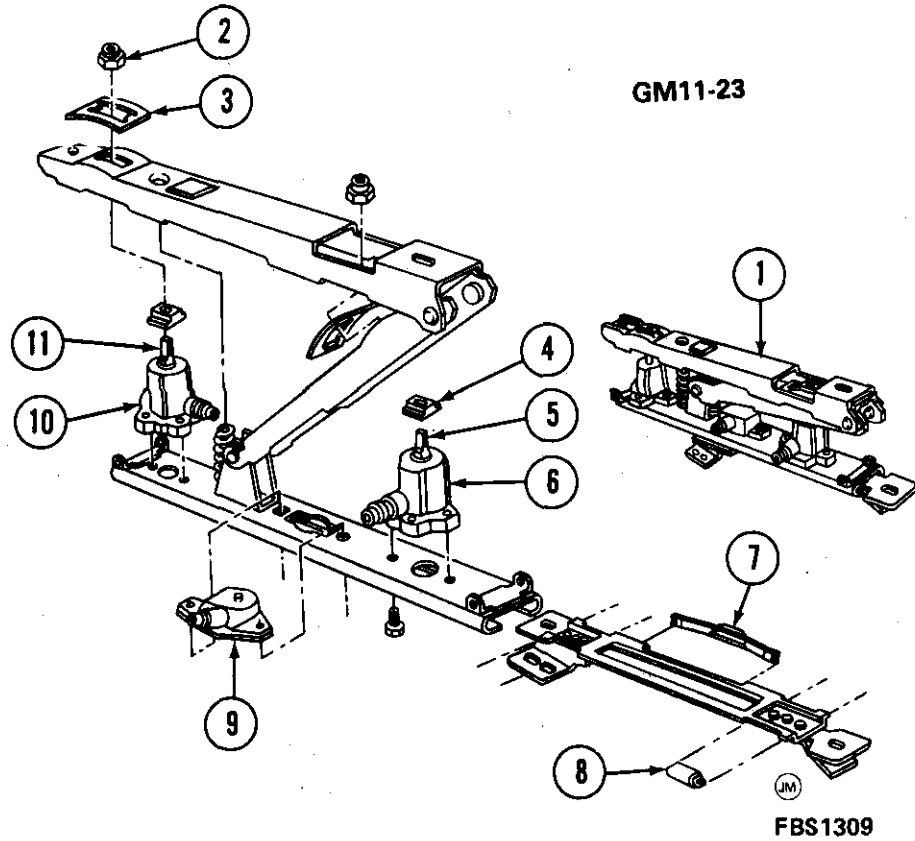


GM11-22

1979-81 SIX-WAY SEAT ADJUSTER TRANSMISSION (TYPICAL)

1.	CABLE ASM, Frt Vert	11.561
2.	CABLE ASM, Rr Vert	11.561
3.	CABLE ASM, Horiz	11.561
4.	PLATE, Adj Trans Cable	11.561
5.	TRANSMISSION ASM, St Adj	11.556
6.	GEAR, Adj Idler	11.556
7.	GEAR, Trans Frt Vert Horiz & Rr Vert	11.556
8.	SPRING, Trans Adj	11.556
9.	DOG, Trans Adj	11.556
10.	SHAFT, Trans Adj Clu	11.556
11.	SOLENOID ASM, Trans Adj	11.556
12.	GEAR, Trans Adj Dr	11.556
13.	PLUNGER, Trans Adj	11.556
14.	COUPLING, Cable Adj Mtr	11.561
15.	CABLE, Horiz	11.561
16.	MOTOR, Trans Adj	11.556
17.	CABLE, Frt Vert	11.561
18.	CABLE, Rr Vert	11.561

FBS-1308

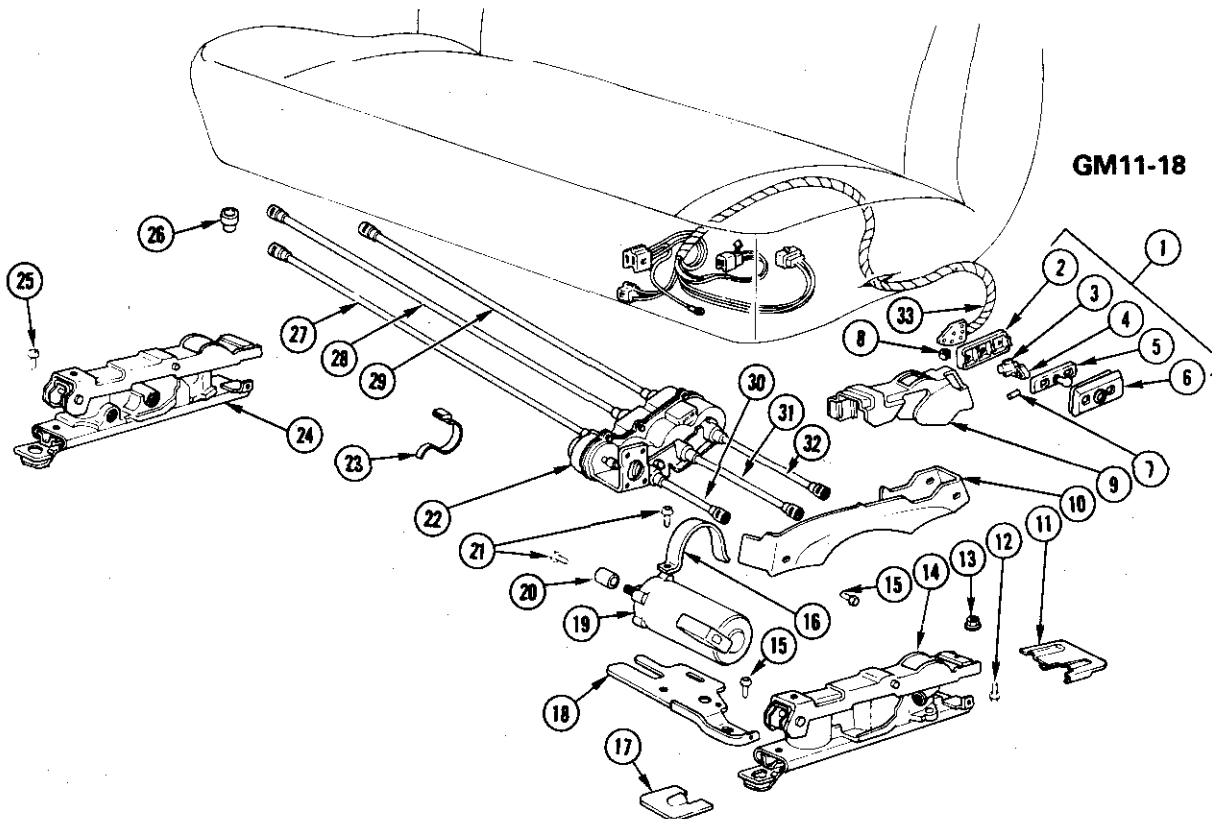


GM11-20

1979-81 SEAT ADJUSTER-6 WAY

1.	ADJUSTER ASM, Elec 6-Way	11.561
2.	NUT, Adj	11.561
3.	SPRING, Adj Rr Vert	11.581
4.	WASHER, Adj	11.561
5.	GEAR NUT, Adj Frt Vert	11.561
6.	HOUSING, Adj Frt Vert	11.561
7.	SPRING, Adj	11.561
8.	SHOE, Adj	11.561
9.	ACTUATOR, Adj	11.561
10.	HOUSING, Adj Rr Vert	11.561
11.	GEAR NUT, Adj Rr Vert	11.561

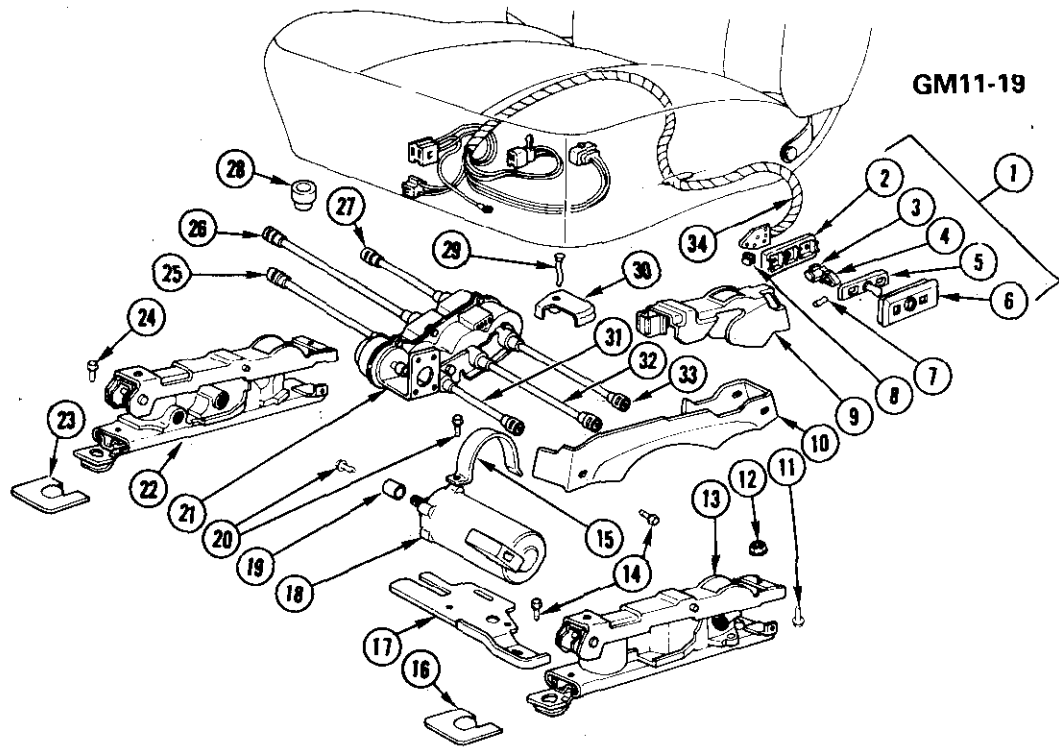
FBS-1309



GM11-18

1980-81 "X" SIX WAY SEAT ADJUSTER (A52)

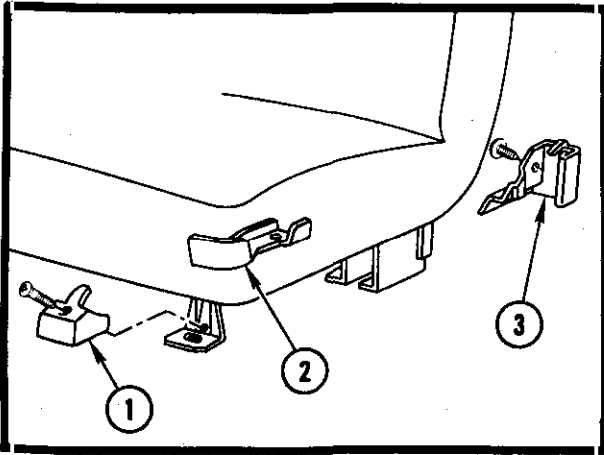
1.	N.S.	SWITCH ASM, Serviced by #2 thru 6)		16.	N.S.	CLAMP, Motor	
2.	11.558	BASE, D/St Si Pnl Sw	1698469	17.	15.286	COVER, Ret Cpt Flr Frt Otr	20554183
3.	11.558	BUTTON, W/Bar, St Adj Sw	9711896	18.	N.S.	SUPPORT, St Adj Trans Motor	
4.	11.558	CAP, St Adj Sw But	9867373	19.	11.556	MOTOR, St Adj	22039347
5.	11.558	BUTTON, W/Bar, St Adj Sw	9711896	20.	11.561	COUPLING, Motor to Trans Drive	20450945
6.	11.558	ESCUTCHEON, St Si Pnl Sw (Bright)	20011043	21.	N.S.	BOLT, Hex	
7.	N.S.	PIN (Part of Item #1)		22.	11.556	TRANSMISSION, St Adj Horiz/Vert	20113446
8.	N.S.	CLIP (Part of Item #1)		23.	N.S.	STRAP, Wiring	
9.	11.573	COVER, Track Uprr	20421914	24.	11.561	ADJUSTER, St-RH	20170182
10.	11.573	COVER, Track Lwr-LH	20082130	25.	8.900	BOLT, Hex (M8 x 1.25 x 16)	
	11.573	COVER, Track Lwr Inr-RH	20094598	26.	N.S.	SPACER, Adj to St	
11.	11.573	COVER, Ret F/Seat Cpt-LH	1703741	27.	11.561	CABLE, Frt Vert-RH	20266050
	11.573	COVER, Ret F/Seat Cpt-RH	20556991	28.	11.561	CABLE, Rr Vert-RH	20152944
12.	8.900	BOLT, Flg Hex Hd (M8x1.25x30) 10.9 Pzor	11508686	29.	11.561	CABLE, Horiz-RH	20152946
13.	8.915	NUT, Hex (M8 x 1.25)		30.	11.561	CABLE, Frt Vert-LH	20152948
14.	11.561	ADJUSTER, St-LH	20170185	31.	11.561	CABLE, Rr Vert-LH	20152932
15.	11.573	FASTENER, St Adj Track (10.695)	8731909	32.	11.561	CABLE, Horiz-LH	20152948
				33.	13.090	HARNESS, St Adj Sw (A42)	20150097



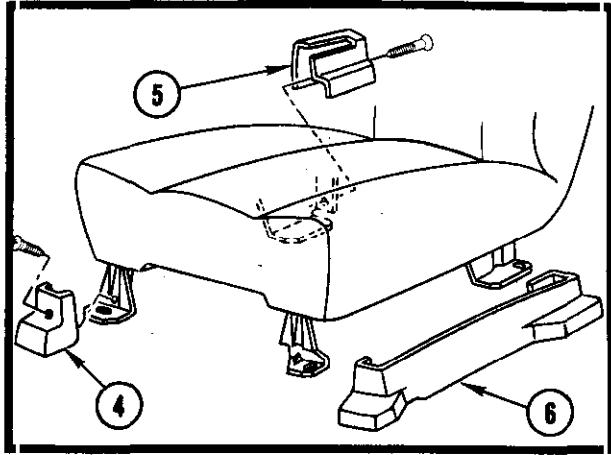
GM11-19

1980-81 "X" SIX WAY SEAT ADJUSTER (A51 & A65)

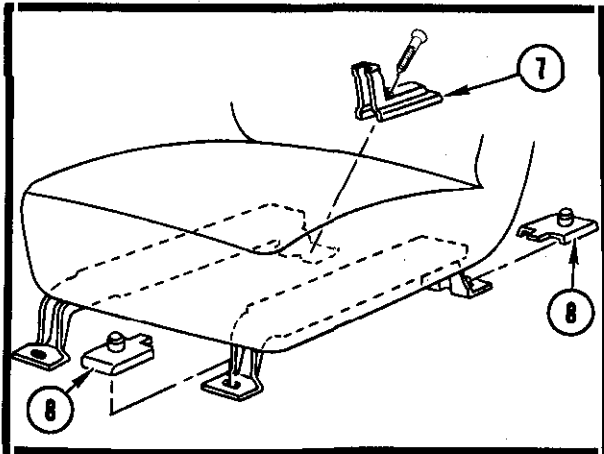
- | | | | | | | | |
|-----|--------|--|----------|--------|---|--|----------|
| 1. | N.S. | SWITCH, Serviced by #2-6) | | 19. | 11.561 | COUPLING, Motor to Trans Drive | 20450945 |
| 2. | 11.558 | BASE, D/St Si Pnl Sw | 1698469 | 20. | N.S. | BOLT, Hex | |
| 3. | 11.558 | BUTTON, W/Bar, St Adj Sw | 9711696 | 21. | 11.556 | TRANSMISSION, St Adj Horiz/Vert | 20113446 |
| 4. | 11.558 | CAP, Si Adj Sw But | 9867373 | 22. | N.S. | ADJUSTER, D/St Inr (Less Actr & Gearnut) (A51) | |
| 5. | 11.558 | BUTTON, W/Bar, St Adj Sw | 9711696 | 11.561 | ADJUSTER, D/St-RH (Less Actr & Gearnut) (A65) | | 20170182 |
| 6. | 11.558 | ESCUTCHEON, St Si Pnl Sw (Bright) | 20011043 | 23. | 15.300 | COVER, Ret Cpt Flr Inr (A51) | 20150246 |
| 7. | N.S. | PIN (Part of Item #1) | | 24. | 8.900 | BOLT, Hex (M8 x 1.25 x 16) | |
| 8. | N.S. | CLIP (Part of Item #1) | | 25. | 11.561 | CABLE, Frt Vert-RH (A51) | 20126260 |
| 9. | 11.573 | COVER, Track Up | 20421914 | 11.561 | CABLE, Frt Vert-RH (A65) | | 20266050 |
| 10. | 11.573 | COVER, Track Lwr Otr | 20082130 | 26. | 11.561 | CABLE, Rr Vert-RH (A51) | 9655815 |
| | 11.573 | COVER, Track Lwr Inr-RH | 20094598 | 11.561 | CABLE, Rr Vert-RH (A65) | | 20152944 |
| 11. | 8.900 | BOLT, Flg Hex Hd (M8x1.25x30) 10.9 Pzor | 11508686 | 27. | 11.561 | CABLE, Horiz-RH (A51) | 20126264 |
| 12. | 8.915 | NUT, Hex (M8 x 1.25) | | 11.561 | CABLE, Horiz-RH (A65) | | 20152946 |
| 13. | 11.561 | ADJUSTER, D/St Otr (Less Actr & Gearnut) (A51) | 20170196 | 28. | N.S. | SPACER, Adj to St | |
| | 11.561 | ADJUSTER, D/St-LH (Less Actr & Gearnut) (A65) | 20170185 | 29. | 11.573 | PIN, Adj Track Inr/Otr | 20095519 |
| 14. | 11.573 | FASTENER, St Adj Track (10.695) | 8731909 | 30. | 11.573 | COVER, D/St Adj Track Inr | 20554177 |
| 15. | N.S. | CLAMP, Motor | | 31. | 11.561 | CABLE, Frt Vert-LH (A51) | 20152934 |
| 16. | 15.286 | COVER, Ret Cpt Flr Frt Otr | 20554183 | 11.561 | CABLE, Frt Vert-LH (A65) | | 20152948 |
| 17. | N.S. | SUPPORT, D/St Adj Trans Motor (A51) | | 32. | 11.561 | CABLE, Rr Vert-LH (A51) | 20152936 |
| 18. | 11.556 | MOTOR, St Adj | 22039347 | 11.561 | CABLE, Rr Vert-LH (A65) | | 20152932 |
| | | | | 33. | 11.561 | CABLE, Horiz-LH (A51) | 20152934 |
| | | | | 11.561 | CABLE, Horiz-LH (A65) | | 20152948 |
| | | | | 34. | 13.090 | HARNES, D/St Adj (AC3) | 20150099 |



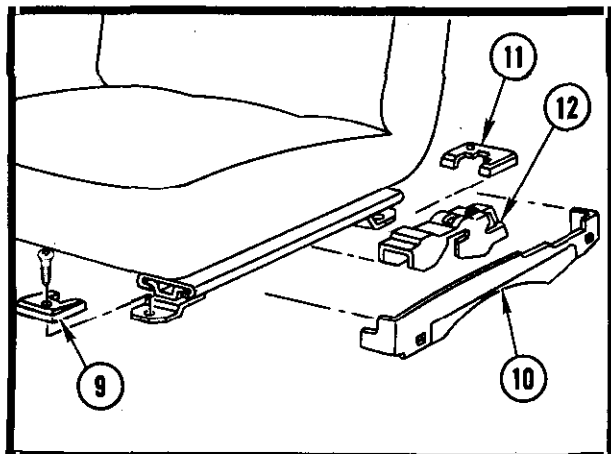
MANUAL & ELECTRIC 2-WAY ADJ.



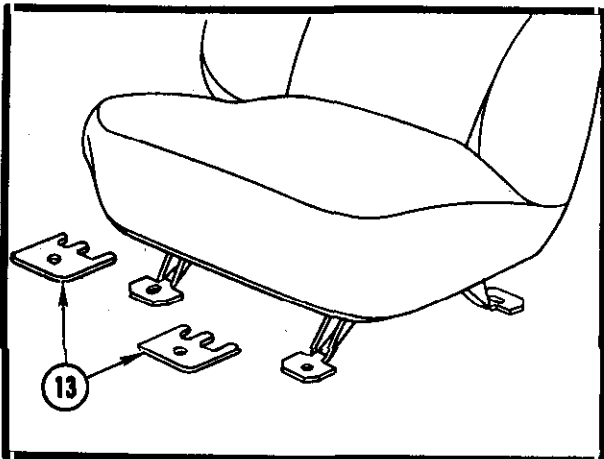
MANUAL ADJ. ("X" BUCKET SEAT)



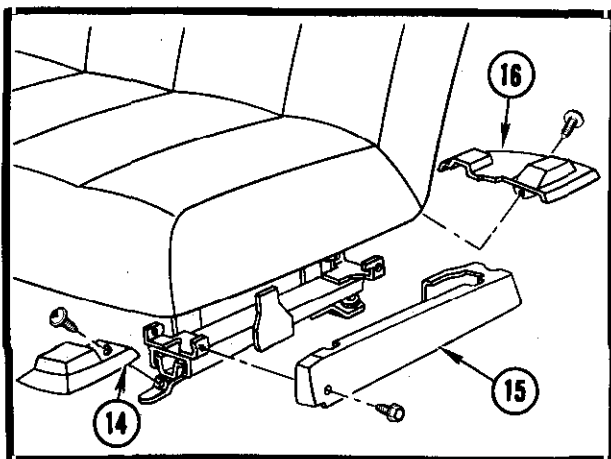
MANUAL ADJ. ("T")



ELECTRIC 6-WAY ADJ.



MANUAL ADJ. ("F")



ELECTRIC 6-WAY ADJ.

FBS - 1348

GM11-26

1980-81 SEAT ADJUSTER COVERS (TYPICAL)

GM11-28

1980-81 SEAT ADJUSTER COVERS (TYPICAL)

1.	COVER, Frt St Adj Frt-RH & LH(*1,2)	11.573
2.	COVER, Frt St Adj Upr-RH & LH ("X" Styles Only)(*1,2)	11.573
3.	COVER, Frt St Adj Rr-RH & LH(*1,2)	11.573
4.	COVER, P/D St Adj Inr Frt	11.573
5.	COVER, P/D St Adj Inr Rr	11.573
6.	COVER, P/D St Adj Otr Side	11.573
7.	COVER, P/D St Adj Otr Rr	11.573
8.	COVER, Pass St Adj Inr Frt & Rr	11.573
9.	COVER, St Adj Frt Fir Supt-RH & LH(*3)	11.573
	COVER, P/D Adj Frt Fir Supt-Inr & Otr(*3)	11.573
10.	COVER, St Adj Track-RH & LH(*3)	11.573
	COVER, P/D Adj Track Lwr-Inr & Otr(*3)	11.573
11.	COVER, St Adj Rr Fir Supt-RH & LH(*3)	11.573
	COVER, P/D Adj Rr Fir Supt-Inr & Otr(*3)	11.573
12.	COVER, St Adj Track Upr-RH & LH(*3)	11.573
	COVER, P/D Adj Track Upr-Inr & Otr(*3)	11.573
13.	COVER, P/D St Adj Man Carpet Fin	11.573
14.	COVER, P/D St Adj Frt-Inr & Otr(*4)	11.573
15.	COVER, P/D St Adj Track Lwr-Inr & Otr(*4)	11.573
16.	COVER, P/D St Adj Supt Rr-Inr & Otr(*4)	11.573

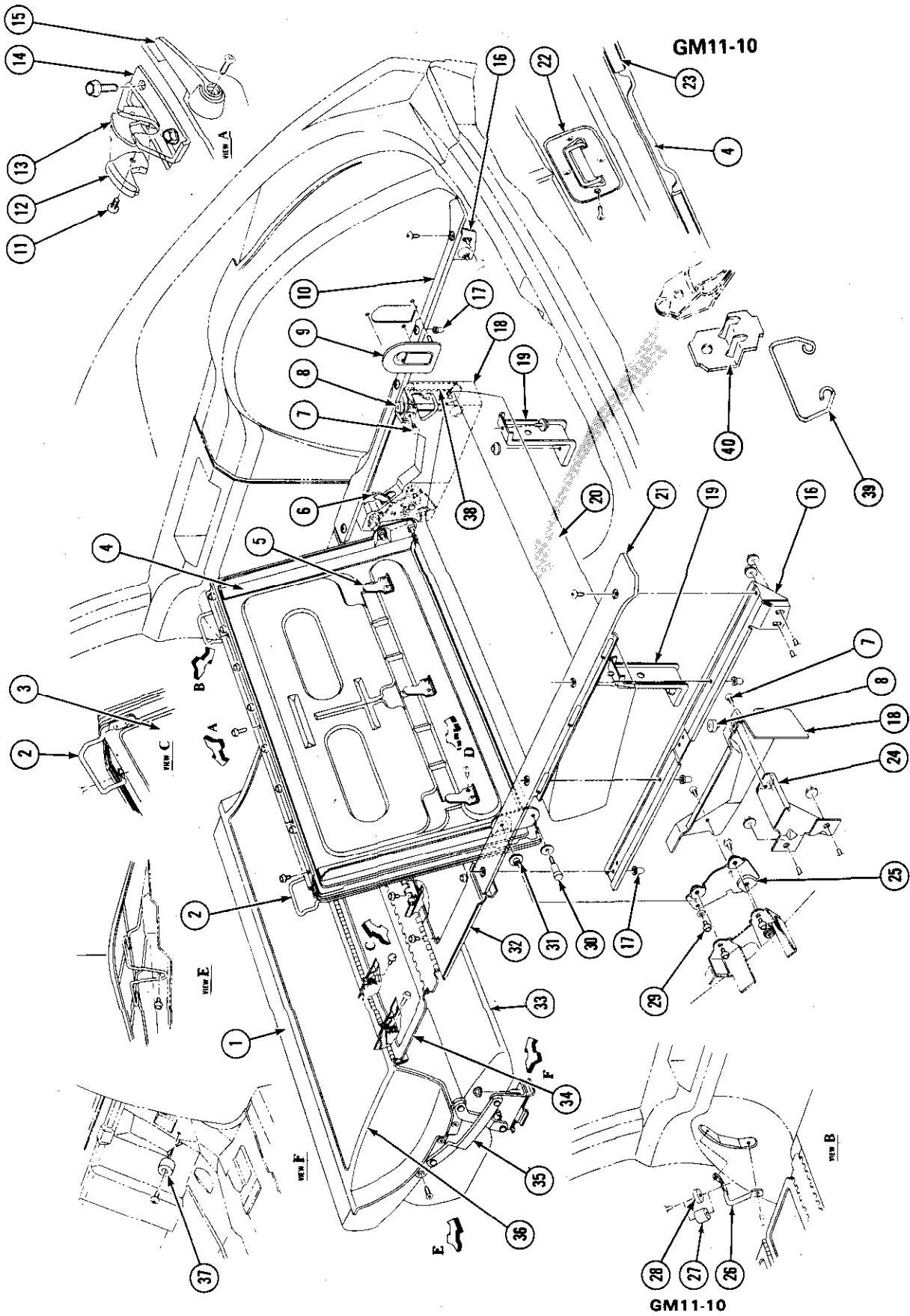
FBS-1348

NOTE 1: "A,B,C,E,X" Styles (Manual Adj)

NOTE 2: Olds & Cadillac Styles (Elect 2-Way)

NOTE 3: "A,B,C,E,X" Styles

NOTE 4: "B,C,E,K" Styles (Cadillac)



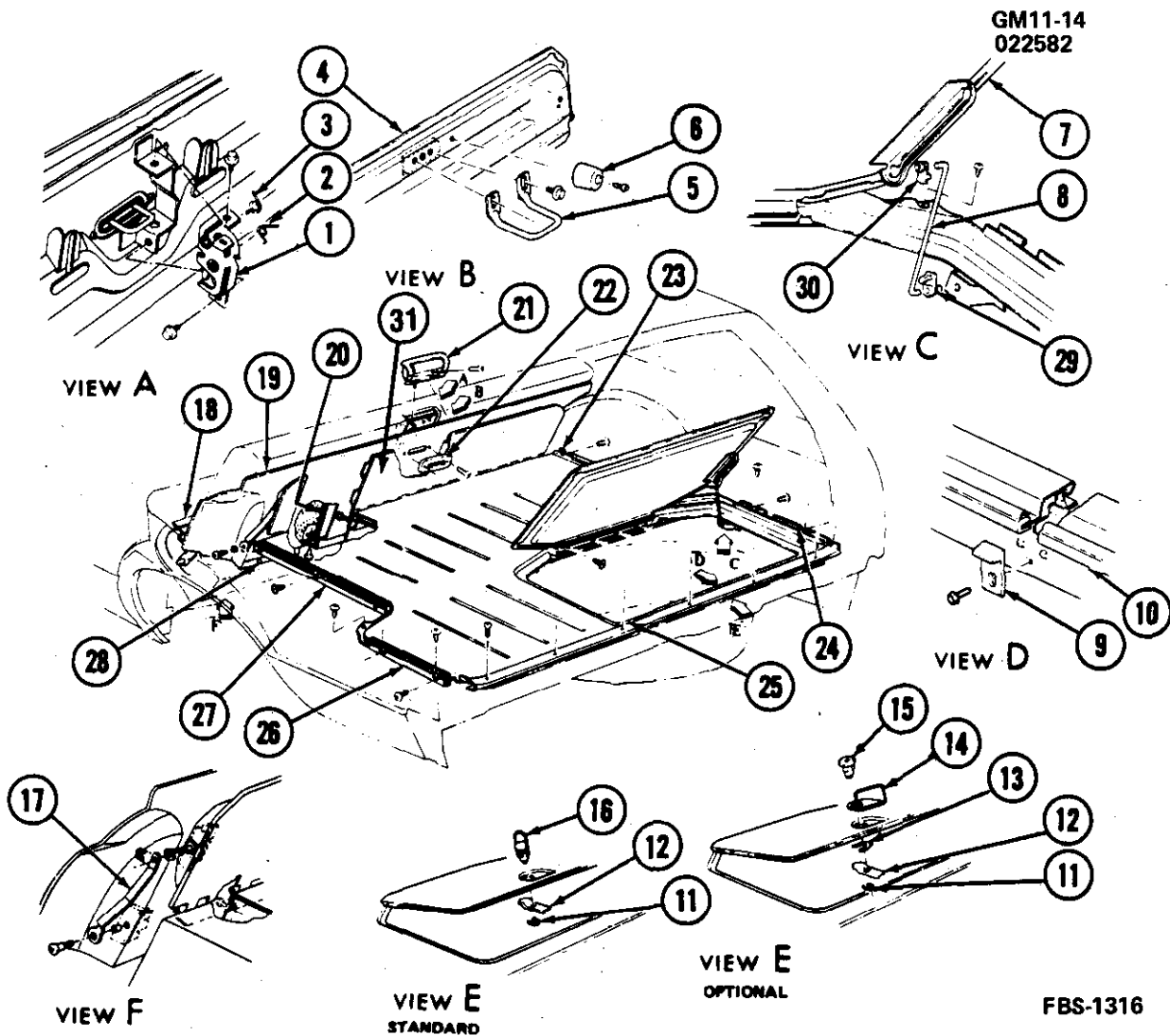
1976-77 "A35" LOAD FLOOR HARDWARE

1976-77 "A35" LOAD FLOOR HARDWARE

1.	FRAME ASM, Fldg 2nd Seat Back	11.628
2.	STRIKER, Lug Compt Rear Panel-RH & LH	12.977
3.	PANEL ASM, Lug Compt-Rear	12.975
4.	PANEL ASM, Lug Compt-Front	12.975
5.	RETAINER, Fldg 3rd Seat Back Panel Trim	11.620
6.	LOCK ASM, Fldg 3rd Seat Back	11.620
7.	FASTENER, Pivot Support Cover	11.375
8.	BUMPER, Lug Compt Panel Stop	11.620
9.	CATCH, Spare Tire Cover Panel	12.579
10.	FILLER, Compt Pan Longitudinal Bar to Spare Tire Cover Panel-RH	12.981
11.	FASTENER, Cover to Lock	11.620
12.	COVER, Fldg 2nd Seat Back Lock	11.620
13.	LOCK ASM, Fldg 2nd Seat Back-RH	11.620
14.	RETAINER, Fldg 2nd Seat Lock-RH	11.620
15.	HANDLE, Fldg 2nd Seat Back Lock	11.620
16.	SUPPORT, Rear Floor Filler Outer Panel-RH & LH	12.977
17.	CAP, Filler Screw Protector	12.977
18.	COVER, Fldg 2nd Seat Pivot Support	11.620
19.	SUPPORT, Fldg 3rd Seat Cushion-Front	11.620
20.	FRAME ASM, Fldg 3rd Seat Bottom	11.628
21.	FILLER, Compt Pan Longitudinal Bar to Wheelhouse Cover-LH	12.981
22.	HANDLE, (Part Of Panel Opening)	N.S.
23.	STRIP, Lug Compt Panel to Rear Cross Bar-Anti-Rattle	12.977
24.	STOP, Lug Compt Panel-LH	12.977
25.	SUPPORT, Lug Compt Panel Pivot-RH & LH	11.620
26.	STRIKER, Fldg 2nd Seat Back-RH & LH (Used as Supt)	11.620
27.	BUMPER, Fldg 2nd Seat Back Supt-On Striker	11.620
28.	BUMPER, Fldg 2nd Seat Back Lock Striker-RH	11.620
29.	SCREW, Bushing to Support	11.620
30.	STRIKER, Lug Compt Front Panel-RH & LH (Used as Stop)	11.620
31.	BUSHING, Lug Compt Panel Pivot	12.977
32.	PANEL, Compt Floor-at Kick-Up	12.975
33.	FRAME ASM, Fldg 2nd Seat Cushion	11.373
34.	PANEL ASM, Fldg 2nd Seat Back Filler	12.975
35.	LINK ASM, Fldg 2nd Seat Back-RH & LH	11.620
36.	PANEL ASM, Fldg 2nd Seat Back	12.975
37.	BUMPER, Fldg 2nd Seat Back Filler Panel-On Floor	11.620
38.	STOP, Lug Compt Panel-RH	12.977
39.	CATCH, 3rd Seat Bottom Frame	11.620
40.	RETAINER, 3rd Seat Bottom Frame	11.620

MAT - See Group 15.311

CARPET - See Group 15.320



GM11-14

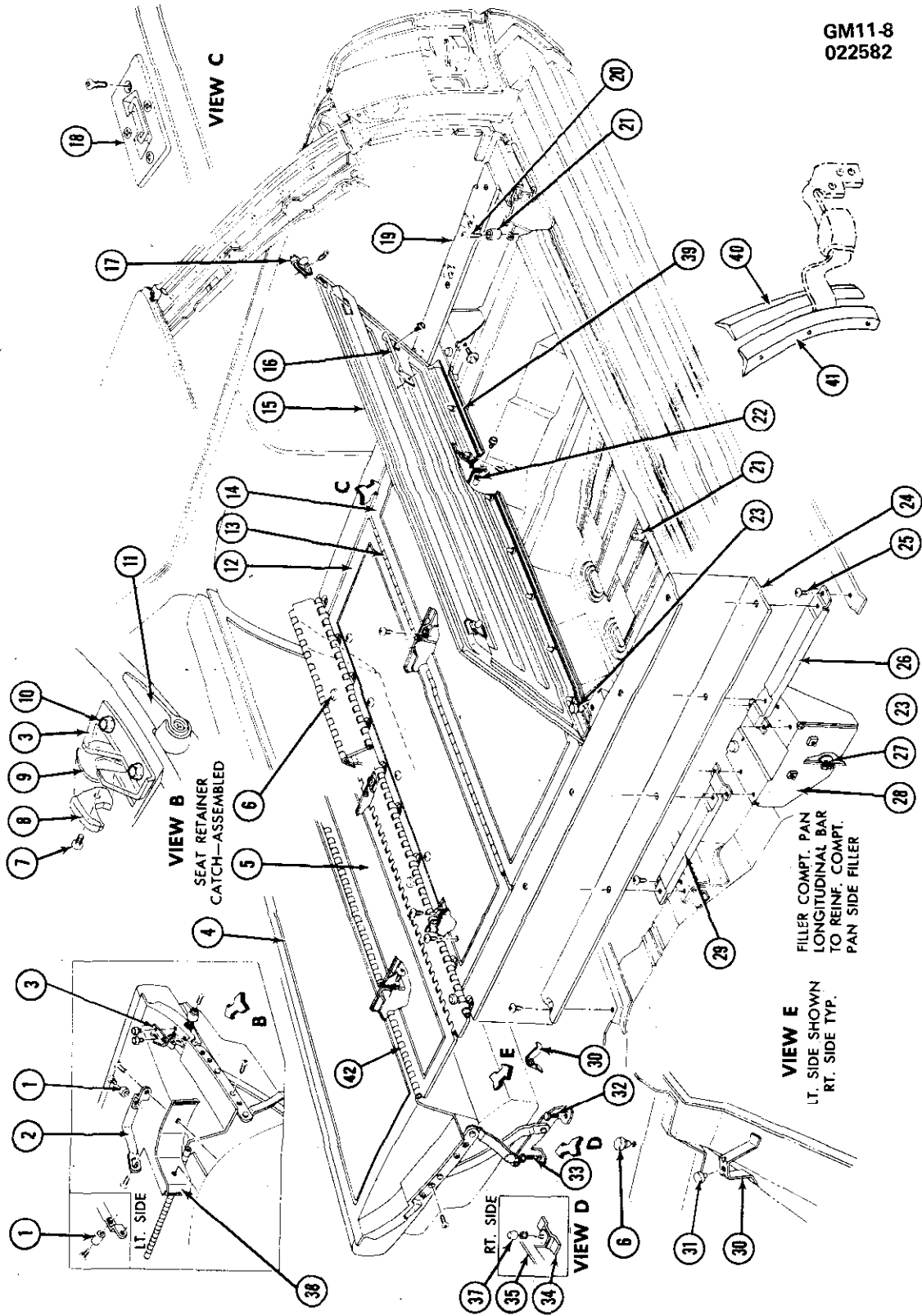
1978-81 "A35" FOLDING 2ND SEAT & LOAD FLOOR HARDWARE

1.	LOCK ASM, Folding 2nd Seat Back (Incl #2,3)	11.620
2.	SPRING, Folding 2nd Seat Back Lock Lever (Part of #1)	11.620
3.	SPRING, Folding 2nd Seat Back Lock Hook (Part of #1)	11.620
4.	PANEL ASM, 2nd Seat Back Filler	12.975
5.	STRIKER ASM, 2nd Seat Back Lock	11.620
6.	BUMPER, 2nd Seat Back-At Striker	11.620
7.	PANEL ASM, Spare Tire Cover	12.579
8.	ROD, Spare Tire Cover Hold Open	12.977
9.	STRIKER, Spare Tire Panel Lock	12.977
10.	SEALING STRIP, Spare Tire Cover	15.100
11.	CLIP, Lock Pawl	12.977
12.	LATCH, Spare Tire Compartment Cover	12.977
13.	RETAINER, Spare Tire Compartment Cover Lock	12.249
14.	HANDLE ASM, Spare Tire Cover Panel	15.100
15.	CYLINDER ASM, Luggage Compartment Lock	12.248
16.	PLUG ASM, Lock Cylinder	12.977
17.	LINK, Folding 2nd Seat Back Filler	11.620
18.	SPRING, W/Frame Asm, 2nd Seat Cushion	11.610
19.	PANEL ASM, Folding 2nd Seat Back	11.373
20.	FRAME ASM, Folding 2nd Seat Back	11.628
21.	HANDLE ASM, Folding 2nd Seat Back	11.620
22.	ESCUTCHEON, Folding Seat Back Lock-W/Carpet	11.620
23.	RAIL, Luggage Compartment Panel Side-Right Front	12.981
24.	RAIL, Luggage Compartment Panel Side-Right Rear	12.981
25.	PANEL ASM, Luggage Compartment	12.975

1978-81 "A35" FOLDING 2ND SEAT & LOAD FLOOR HARDWARE

26.	RAIL, Luggage Compartment Panel Side-Left Rear	12.981
27.	RAIL, Luggage Compartment Panel Side-Left Front	12.981
28.	BUMPER, Folding 2nd Seat Back Panel	12.212
29.	CLIP, Spare Tire Body Side Hold Open	12.977
30.	CLIP, Spare Tire Cover Side Hold Open	12.977
31.	PANEL, Fldg 2nd Seat Bk Filler	12.975

GM11-8
022582



VIEW E
LT. SIDE SHOWN
RT. SIDE TYP.
FILLER COMPT. PAN
LONGITUDINAL BAR
TO REINF. COMPT.
PAN SIDE FILLER

GM11-8

1976 "B35" LOAD FLOOR HARDWARE

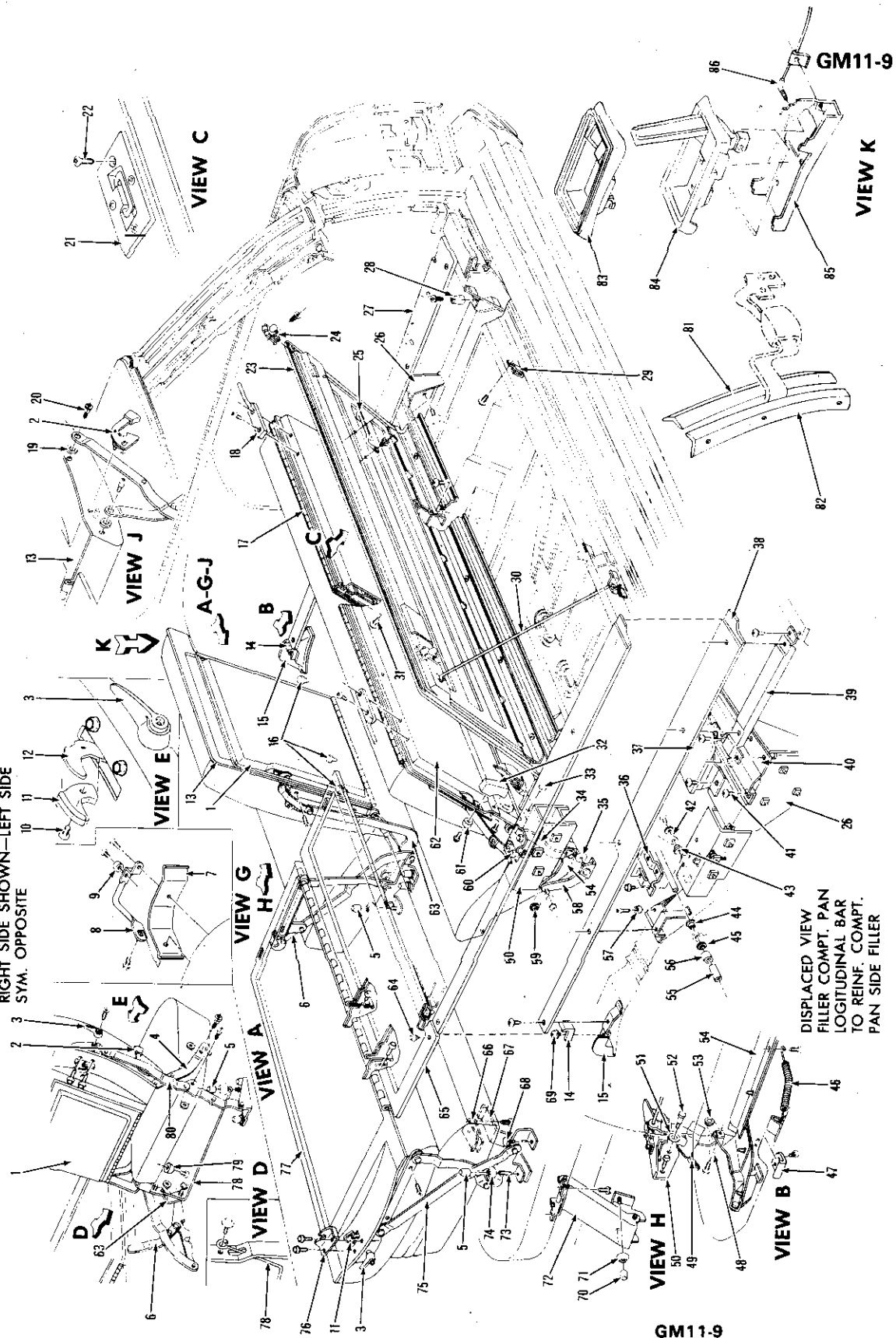
1976 "B35" LOAD FLOOR HARDWARE

1.	BUMPER, Fldg 2nd Seat Back Lock	11.620
2.	STRIKER, Fldg 2nd Seat Back Lock	11.620
3.	RETAINER, Fldg 2nd Seat Back Lock	11.620
4.	PANEL ASM, Fldg 2nd Seat Back	12.975
5.	PANEL ASM, Fldg 2nd Seat Back Filler	12.975
6.	BUMPER, Fldg 2nd Seat Back-On Pan	11.620
7.	FASTENER, 2nd Seat Back Lock Cover	N.S.
8.	COVER, Fldg 2nd Seat Back Lock	11.620
9.	LOCK ASM, Fldg 2nd Seat Back	11.620
10.	SCREW, Fldg 2nd Seat Lock to Frame	N.S.
11.	HANDLE, Fldg 2nd Seat Back Lock	11.620
12.	PANEL ASM, Compt Floor-at Kick-Up	12.975
13.	HINGE ASM, Luggage Compt Cover Panel-Front	12.977
14.	PANEL ASM, Luggage Compt-Front	12.975
15.	PANEL ASM, Luggage Compt-Rear	12.975
16.	HANDLE, Luggage Compt Rear Panel Closing	12.975
17.	CLIP ASM, Luggage Compt Panel Retainer	12.977
18.	HANDLE, Luggage Compt Rear Panel Opening	12.977
19.	FILLER, Compt Pan to Spare Tire Cover Panel	12.981
20.	SCREW, Bumper to Rear Supt	N.S.
21.	BUMPER ASM, Luggage Compt Rear Panel	12.977
22.	CAP, Luggage Compt Cover Panel	12.977
23.	BUMPER, Luggage Compt Cover Panel-On Stop	12.977
24.	FILLER, Compt Pan to Quarter Inner Trim Panel	12.981
25.	SCREW, Reinf to Supt-On Pan	N.S.
26.	REINFORCEMENT, Compt Pan Side Filler-Rear	12.981
27.	SCREW, Rear Panel at Hinge Stop to Bar	N.S.
28.	STOP, Luggage Compt Rear Panel-at Hinge	12.977
29.	REINFORCEMENT, Compt Pan Side Filler-Front	12.981
30.	SUPPORT, Fldg 2nd Seat Back Bumper	N.S.
31.	BUMPER, Fldg 2nd Seat Back Supt	11.620
32.	BOLT, 2nd Seat Belt to Anchor-Outer	14.875
33.	STUD, 2nd Seat Link Asm to Pan	N.S.
34.	PLATE, 2nd Seat Link Anchor Outer	N.S.
35.	LINK ASM, 2nd Seat Mtg Supt	11.620
37.	CAP, Finish Fldg 2nd Seat Mtg Supt	11.381
38.	COVER, 2nd Seat Back Lock Striker Finish	11.620
39.	HINGE ASM, Luggage Compt Cover Panel-Rear	12.977
40.	FILLER, Qtr Inner Trim Panel Rear Rubber	12.941
41.	FILLER, Back Body Pillar to W/House Ext-Rubber	12.968
42.	PANEL ASM, Fldg 2nd Seat Back Filler	12.975

MAT - See Group 15.311

CARPET - See Group 15.320

SEAT BACK RETAINER ASSY
 RIGHT SIDE SHOWN—LEFT SIDE
 3 SYM. OPPOSITE



1976 "B45" LOAD FLOOR HARDWARE

GM11-9

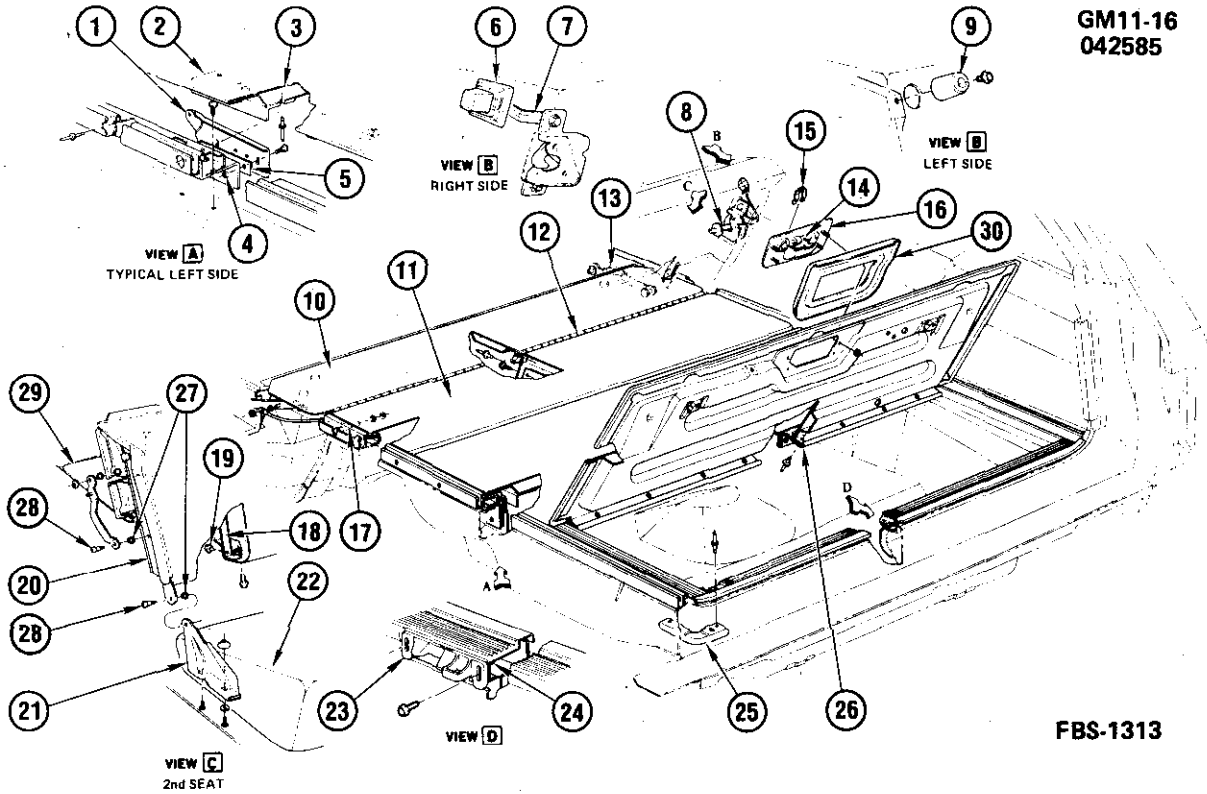
DISPLACED VIEW
 FILLER COMPT. PAN
 LOGITUDINAL BAR
 TO REINF. COMPT.
 PAN SIDE FILLER

1976 "B45" LOAD FLOOR HARDWARE

1. PANEL ASM, Fldg 2nd 1/3rd St Bk Fil	12.975	44. BUSHING, Fldg 3rd St Bk Link	11.620
2. LATCH ASM, Fldg 2nd 1/3rd St Bk	11.620	45. RETAINER, Link to Pnl 3rd St Bk	N.S.
3. HANDLE, 2nd 1/3rd & 2/3rd St Bk Lk	11.620	46. SPRING, 3rd St Bottom Cushion Assist	11.620
4. LINK ASM, 2nd 1/3rd St Bk Otr Lwr	11.620	47. GUIDE, Fldg 3rd St Cushion	15.034
5. CAP, 2nd 2/3rd St Link to Flr	11.381	48. WASHER, St Bk to Supt Cushion	N.S.
6. LINK ASM, Fldg 2nd 2/3rd St Bk-Inr	11.620	49. LINK ASM, Fldg 3rd St Bk	11.620
7. COVER, 2nd 1/3rd & 2/3rd St Bk Lk		50. SUPPORT ASM, 3rd St Bk-On	
Stkr	11.620	Longitudinal Bar	11.620
8. STRIKER, 2nd 1/3rd & 2/3rd St Bk Lk	11.620	51. WASHER, Fldg 3rd St Bk Lk Stkr	11.390
9. BUMPER, 2nd 1/3rd & 2/3rd St Bk		52. STRIKER, Fldg 3rd St Bk Lk	11.620
Stkr	11.620	53. BUSHING, Link St Bk to Supt Cushion	N.S.
10. FASTENER, 2nd St Bk Cvr to Lk	11.620	54. SUPPORT ASM, Fldg 3rd St Cushion	11.620
11. COVER, Fldg 2nd 1/3rd & 2/3rd St Bk		55. BUSHING, Fldg 3rd St Bk Hinge Pin	11.620
Lk	11.620	56. SPACER, Fldg 3rd St Bk Hinge-LH	N.S.
12. LOCK ASM, Fldg 2nd 1/3rd St Bk	11.620	57. BUMPER, Fldg 3rd St Bk Pnl-Frt	11.620
13. PANEL ASM, Fldg 2nd 1/3rd St Bk	12.975	58. LINK, Fldg 3rd St Bk-Frt	11.620
14. STOP, 2nd 1/3rd & 2/3rd St Bk Fil	11.620	59. BUSHING, Link St Bk Frt to Supt	N.S.
15. COVER, Compt Pan Fil Frt Supt	12.977	60. SCREW, Hinge Pin to Supt	N.S.
16. BUMPER, Fldg 3rd St Bk Fil Pnl Frt	11.620	61. BUMPER, Fldg 3rd St Bk Fil-LH	11.620
17. PANEL ASM, Fldg 3rd St Bk	12.975	62. PANEL ASM, Fldg 3rd St Bk Fil	12.975
18. CATCH, Fldg 3rd St Bk Fil Pnl	11.620	63. LINK ASM, Fldg 2nd 1/3rd St Bk-Inr	11.620
19. SPRING WASHER, Link & Pnl	N.S.	64. BUMPER, Fldg 2nd St Bk Fil Pnl	11.620
20. SCREW, Link to Pnl Bk & Frame		65. PANEL ASM, Fldg 2nd 2/3rd St Bk Fil	12.975
Cushion	N.S.	66. NUT, 2/3rd Cushion Frame Ret to Frm	N.S.
21. HANDLE, Lug Compt Rr Pnl	12.977	67. RETAINER, Fldg 2nd 2/3rd Cush Frm	11.620
22. SCREW, Handle to Pnl	N.S.	68. BOLT, 2nd St Belt to Pnt-Otr	14.875
23. PANEL ASM, Lug Compt	12.975	69. SCREW, Strap to Supt-On Flr	N.S.
24. CLIP ASM, Lug Compt Pnl Ret	12.977	70. CAP, 2nd 1/3rd Seat Link to Flr	11.381
25. HANDLE, Lug Compt Rr Pnl Closing	12.975	71. NUT, 2nd 1/3rd Frt Link to Flr	N.S.
26. STOP, Lug Compt Rr Pnl	12.977	72. LINK ASM, Fldg 2nd 1/3rd St Frt	11.620
27. FILLER, Compt Pan to Spare Tire Cvr		73. STUD, 2nd 2/3rd Otr Link to Flr	N.S.
Pnl-RH	12.981	74. NUT, 2nd 2/3rd Otr Link to Flr	N.S.
28. BUMPER, Lug Compt Cvr Pnl	12.977	75. LINK ASM, Fldg 2nd 2/3rd St Bk-Otr	11.620
29. CLIP, Lug Compt Cvr Supt Ret	12.977	76. RETAINER, Fldg 2nd 2/3rd St Bk Lk-	
30. SUPPORT, Lug Compt Cvr	12.977	LH	11.620
31. SCREW, St Bk to Pnl St Bk Fil	N.S.	77. PANEL ASM, Fldg 2nd 2/3rd St Bk	12.975
32. BUMPER, Fldg 3rd St Bk Pnl	11.620	78. ROD, 2nd 1/3rd St Inr Link Torque	11.620
33. BUMPER, 3rd St Bk Fil Pnl	11.620	79. BUMPER, Fldg 2nd 1/3rd St Cushion	11.620
34. LINK, Fldg 3rd St Bk	11.620	80. LINK ASM, Fldg 2nd 1/3rd St Bk-Otr	11.620
35. NUT, 3rd St Frt Link to Flr Supt	N.S.	81. FILLER, Otr Inner Trim Panel Rear-	
36. RETAINER ASM, Fldg 3rd St Bk Hinge		Rubber	12.941
Pin	11.620	82. FILLER, Back Body Pillar to W/House	
37. PANEL ASM, Lug Compt Fil	12.975	Ext-Rubber	12.968
38. FILLER, Compt Pan to Otr Inr Trim Pnl	12.981	83. ESCUTCHEON, 3rd Seat Back (Paint to	
39. REINFORCEMENT, Compt Pan Side		Match)	11.620
Filler	12.981	84. HANDLE ASM, 3rd Seat Back Remote	
40. SUPPORT, Lug Compt Cvr Pnl Hinge	12.977	Cont	11.620
41. SCREW, Supt to Lug Compt Stop	N.S.	85. RETAINER, 3rd Seat Back Remote	
42. LINK ASM, Fldg 3rd St Bk Pnl Ret	11.620	Cont Handle	11.620
43. BUSHING, 3rd St Bk Pnl Ret Link	N.S.	86. CABLE ASM, 3rd Seat Back Lock	
		Remote Cont	11.620

MAT - See Group 15.311
 CARPET - See Group 15.320

GM11-16
042585



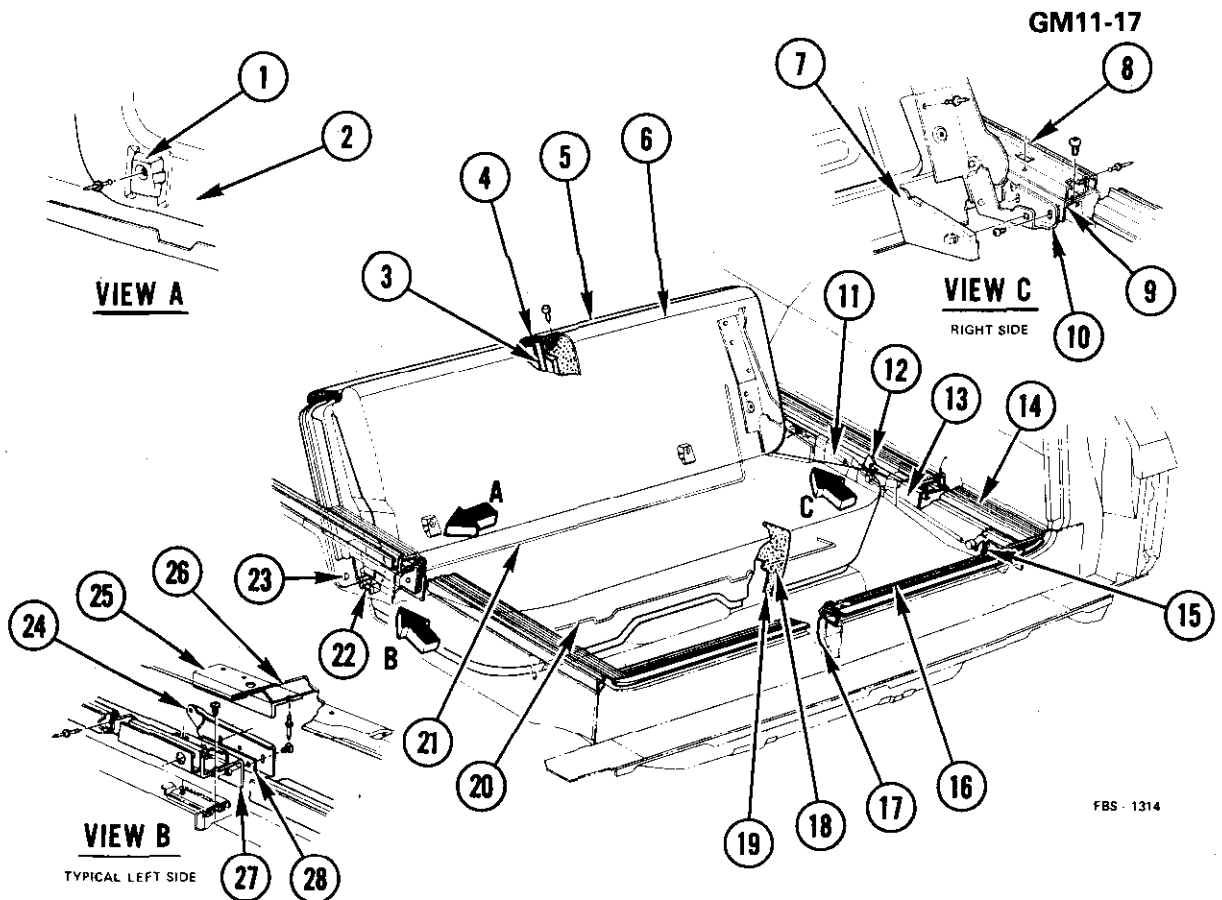
FBS-1313

GM11-16

1977-81 "B35" LOAD FLOOR HARDWARE/FOLDING 2ND

1.	SUPPORT, Pnl Lug Compt Frt	12.977
2.	SUPPORT, 2nd St Bk Mt	11.620
3.	PANEL, Lug Compt Frt	12.975
4.	SUPPORT, Lug Compt Frt Pnl Rl	12.977
5.	RETAINER, 2nd St Bk Torq Rod	N.S.
6.	ESCUTCHEON, 2nd St Bk Lk	11.620
7.	LOCK, 2nd St Bk	11.620
8.	BOLT, 2nd St Bk Lk Stkr	11.620
9.	BUMPER, 2nd St Bk on W/H	11.620
10.	PANEL, Lug Compt Fil at 2nd St (Incl 12)	12.975
11.	PANEL, Lug Compt Fil at Kick Up	12.975
12.	HINGE, Lug Compt Frt Pnl at 2nd St (Part of 10)	N.S.
13.	LINK, 2nd St Bk Fil Pnl	11.620
14.	LOCK, Lug Compt	12.977
15.	RETAINER, Lug Compt Lk Cyl	12.977
16.	HANDLE, Lug Compt Pnl	12.977
17.	PIN, 2nd St to Load Flr Cbl	11.620
18.	FRAME, 2nd St Bk	11.628
19.	BUMPER, St Bk	N.S.
20.	PANEL, 2nd St Bk	12.975
21.	SUPPORT, 2nd St Bk Mt	11.620
22.	FRAME, Rr St Cush	11.610
23.	STRIKER, Lug Compt Pnl Lk	12.977
24.	RAIL, Lug Compt Rr	12.986
25.	REINFORCEMENT, Lug Compt Rl Rr	N.S.
26.	HINGE, Lug Compt Rr Pnl	12.977
27.	BUSHING, 2nd St Bk Piv	11.620
28.	BOLT, Link 2nd St Bk Pnl	11.620
29.	BUSHING, 2nd St Bk Link	11.620
30.	RETAINER, Cpt Lug Compt	15.320

FBS-1313



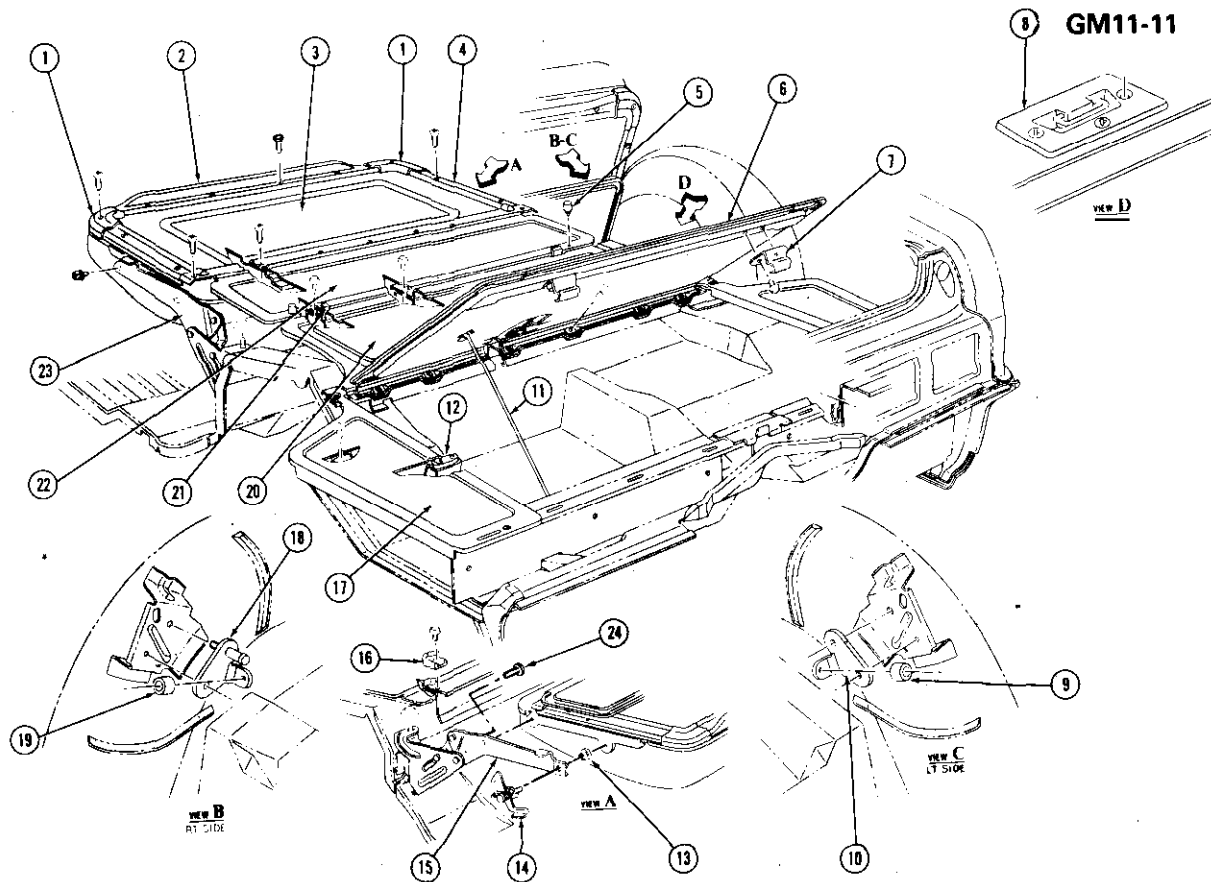
FBS-1314

GM11-17

1977-81 "B35" LOAD FLOOR HARDWARE/FOLDING 3RD

1.	BUMPER, Lug Compt Rr Pnl Protr	12.977
2.	PANEL, Lug Compt Rr	12.975
3.	FRAME, 3rd St Bk	11.628
4.	PAD, 2nd St Bk	15.002
5.	COVER, 3rd St Bk	15.060
6.	PAD, 3rd St Bk	15.002
7.	COVER, 3rd St Bk	15.060
8.	RAIL, Lug Compt Si	12.986
9.	SUPPORT, 3rd St Bk Lk Mt	11.620
10.	LOCK, 3rd St Bk	11.620
11.	CABLE, 3rd St Bk Lk	11.620
12.	LATCH, 3rd St Bk Load Fir	11.620
13.	PANEL, Lug Compt Si	12.975
14.	STRIP, Load Fir Bpr Si	12.976
15.	HANDLE, 3rd St Bk	11.620
16.	STRIP, Load Fir Bpr Rr	12.976
17.	PANEL, Lug Compt Rr	12.975
18.	PAD, 2nd St Cush W/Wire	15.036
19.	PAD, 3rd St Cush	15.036
20.	RETAINER, 3rd St Cush	11.620
21.	ROD, Torq 3rd St Bk	11.620
22.	BUMPER, 3rd St Bk	11.620
23.	BUMPER, Lug Compt Rr Pnl Protr	12.977
24.	SUPPORT, Lug Compt Frt	12.977
25.	SUPPORT, 3rd St Bk Pnl	11.620
26.	PANEL, Lug Compt Frt	12.975
27.	SUPPORT, Lug Compt Frt Pnl RI	12.977
28.	RETAINER, 3rd St Bk Torq Rod	N.S.

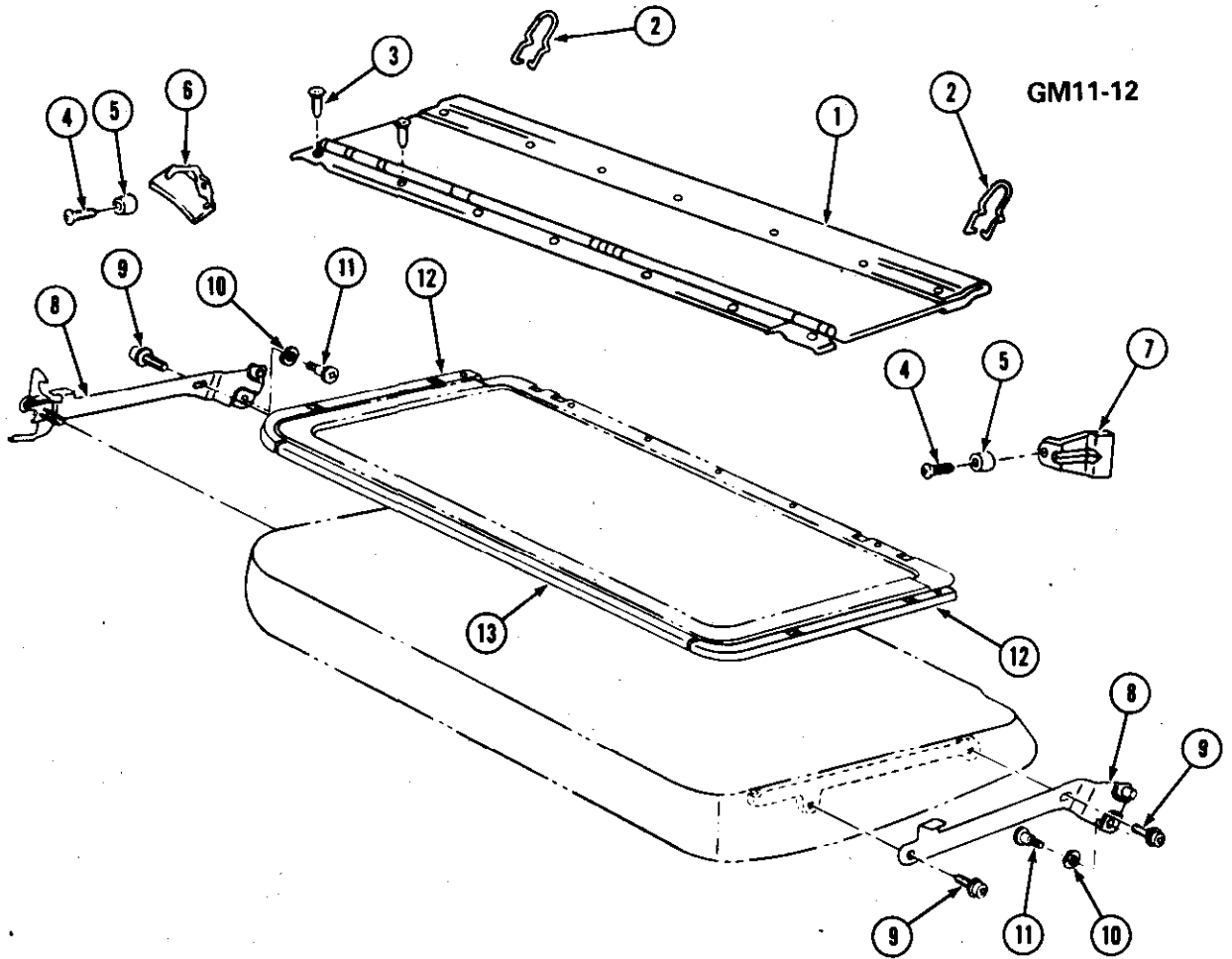
FBS-1314



GM11-11

1976-79 "H,X" FOLDING 2ND SEAT & LOAD FLOOR HARDWARE

1.	MOLDING, Fldg Rear Seat Back Finish-Corner	15.011
2.	MOLDING, Fldg Rear Seat Back Finish-Upr	15.011
3.	PANEL, Fldg Rear Seat Back	12.975
4.	MOLDING, Fldg Rear Seat Back Finish-Side	15.011
5.	BUMPER, Fldg Rear Seat Back Filler Panel	11.381
6.	PANEL, Lug Compt	12.975
7.	CLIP, Lug Compt Panel Hold-Down	12.579
8.	HANDLE, Lug Compt Panel Opening	12.977
9.	BUMPER, Fldg Rear Seat Back Panel Supt	11.620
10.	SUPPORT, Fldg Rear Seat Back Panel Bumper-LH	12.941
11.	SUPPORT, Lug Compt Panel	12.977
12.	BUMPER, Lug Compt Panel	12.579
13.	WASHER, Lock to Panel	N.S.
14.	LOCK, Fldg Rear Seat Back-RH	11.620
15.	ARM, Fldg Rear Seat Back-RH	11.620
16.	STOP, Seat Back Filler Panel Ret-On Floor	11.620
17.	PANEL, Lug Compt-Outer	12.975
18.	STRIKER, Seat Back Bumper Supt-RH	11.620
19.	BUMPER, Seat Back Panel Supt Striker Asm	11.620
20.	PANEL, Lug Compt-Frt	12.975
21.	STOP, Seat Back Filler Panel Ret-On Floor	11.620
22.	PANEL, Fldg Rear Seat Back Filler	12.975
23.	ARM, Fldg Rear Seat Back Lock-LH	11.620
24.	SCREW, Piv Arm Fldg R/St Bk Supt	11.620

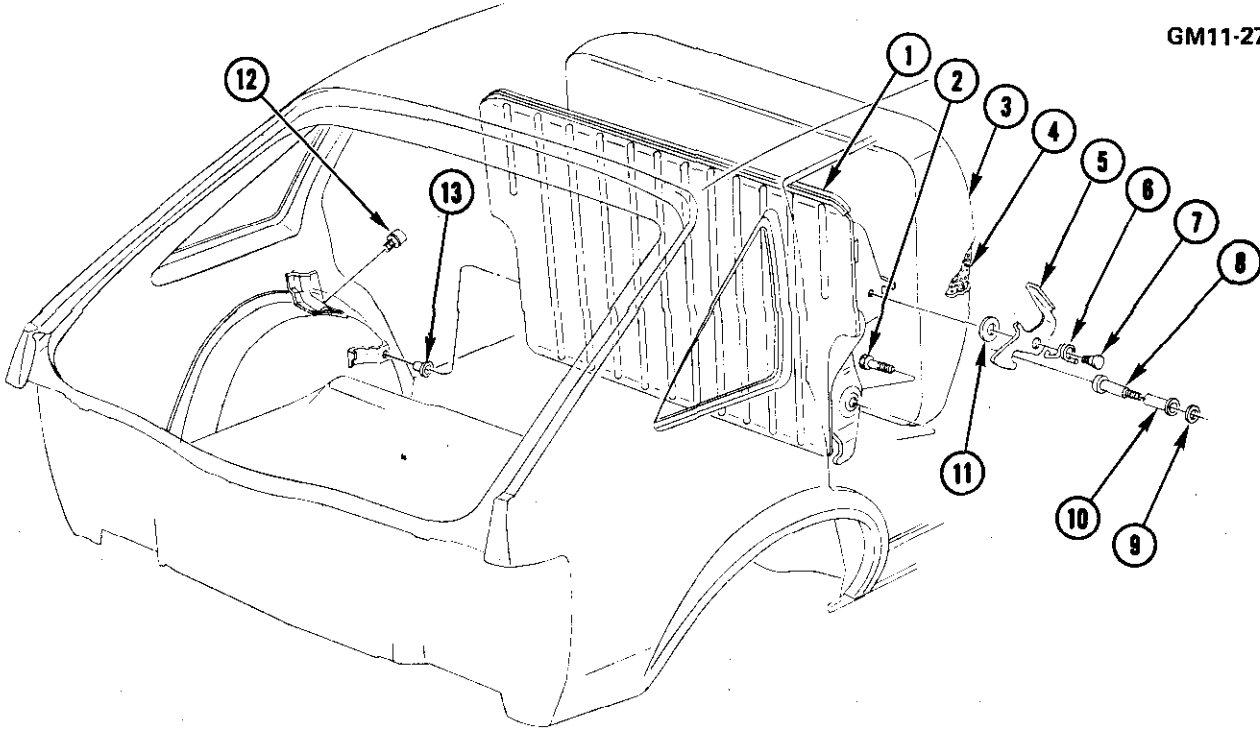


GM11-12

1976-80 "H" FOLDING REAR SEAT HARDWARE

1.	PANEL ASM, Folding Rear Seat Filler	12.975
2.	SPRING, Folding Rear Seat Filler Panel Stop	11.620
3.	SCREW, Filler Panel to Panel	N.S.
4.	SCREW, Bumper to Striker & Support	N.S.
5.	BUMPER, Rear Seat Folding Back-On Wheelhouse	11.620
6.	STRIKER ASM, Folding Rear Seat Back	11.620
7.	SUPPORT, Folding Rear Seat Back Bumper-On Wheelhouse	N.S.
8.	ARM ASM, Folding Rear Seat Back Pivot	11.620
9.	SCREW ASM, Pivot Arm to Rear Seat Back Panel	11.620
10.	WASHER, Pivot Arm to Support	N.S.
11.	SCREW, Pivot Arm to Support	N.S.
12.	PANEL, Folding Rear Seat Back Side	12.975
13.	PANEL, Folding Rear Seat Back Upper	12.975

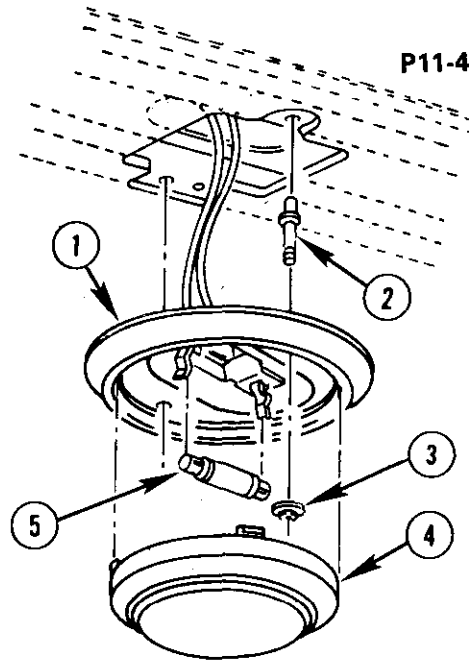
GM11-27



GM11-27

1981 "T" REAR SEAT BACK

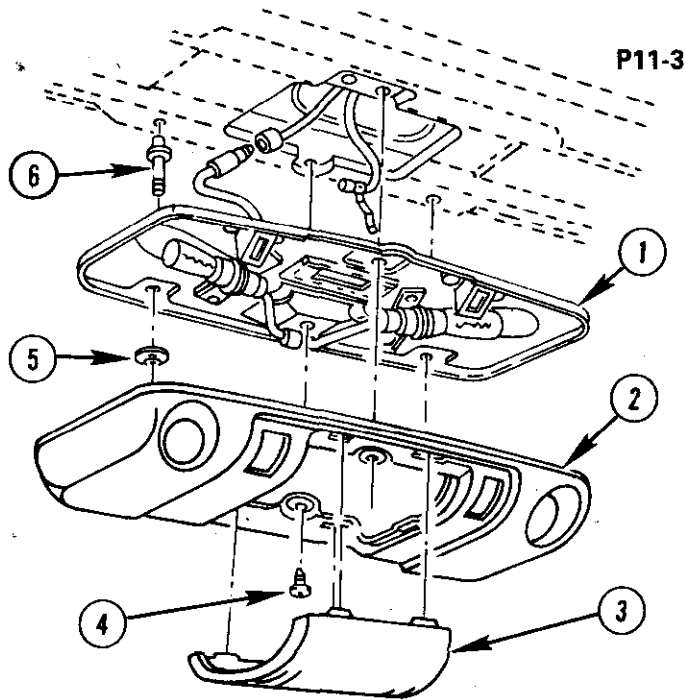
1.	PANEL, Fldg R/Seat Bk	12.975
2.	SCREW, Fldg R/Seat Bk Pnl Asm	11.620
3.	COVER, Fldg R/Seat Bk	15.000
4.	PAD, Fldg R/Seat Bk W/Wire	15.002
5.	LOCK, R/Seat Bk Fldg	11.620
6.	SPRING (Part of Item #5)	N.S.
7.	RETAINER (Part of Item #5)	N.S.
8.	BOLT, R/Seat Bk Lk Stkr	11.620
9.	WASHER, Stkr Bolt R/Seat Bk Lk	11.620
10.	SLEEVE, Fldg R/Seat Bk Lk Stkr	11.620
11.	WASHER (Part of Item #5)	N.S.
12.	BUMPER, Fldg R/Seat Bk	11.620
13.	BUSHING, Pnl Asm to Supt W/H-Left Side	N.S.



P11-4

1976-81 "A, B, F, G, H, X" DOME LAMP

1. REFLECTOR, Lp	11.927	3. NUT, Push-On (1/8" Stud 3/8" OD) ...	8.891
2. STUD, Lp Mtg	N.S.	4. LENS, Lp	11.928
		5. BULB (12 CP-#561)	8.991

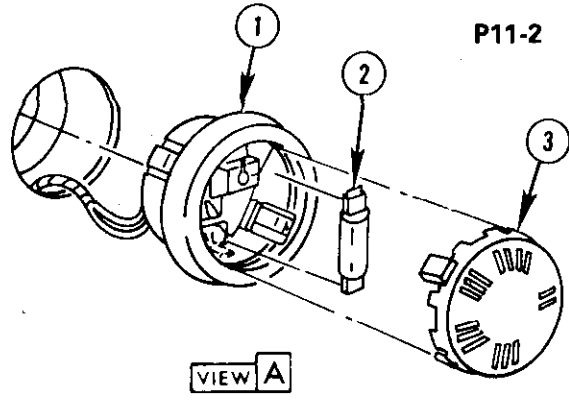
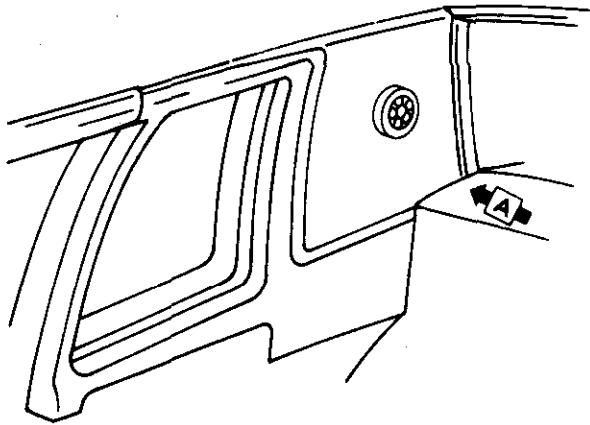


P11-3

**1976-81 "A,B,F,G" DOME & READING LAMP
1980 "X" DOME & READING LAMP**

1. REFLECTOR, Lp	11.927	3. LENS, Lp	11.928
BULB (15 CP-#1004)	8.991	4. SCREW (M4.2 x 1.41 x 16)	8.977
2. HOUSING, Lp	11.927	5. NUT, Push-On (1/8" Stud-3/8" OD) ...	8.891
		6. STUD, Lp Mtg	N.S.

P11-3



P11-2

1978-81 "BN37-69,G" QUARTER WINDOW LAMP

1.	REFLECTOR	11.927
2.	BULB (4 CP-#563)	8.991
3.	LENS, Qtr Courtesy Lp	11.928